

212s-19 Dolce Lino Vest



Suggested yarn:

- Pierrot Yarns Dolce Lino [64% cotton, 36% linen; 115 yds/105m per 1.76 oz./50g skein]; color #01 pale orange/beige/purple, 4 skeins [200g]

Tools/Notions:

- 3.3mm (approx. US 3) and 3.6mm (approx. US 4) knitting needles or sizes necessary to achieve gauge
- 3.3mm (approx. US 3) double-pointed knitting needles or size necessary to achieve gauge

Finished measurements:

- bust 95cm/37.40"
- cross back width 37cm/14.57"
- length 44cm/17.32"

Gauge (10cm/4" square):

- pattern stitch and stockinette stitch: 21 sts and 23 rows

Gauge may vary according to individual knitting style. Change needle size if necessary to achieve gauge. Alternatively, rework pattern with your own gauge measurements.

Knitting Tips

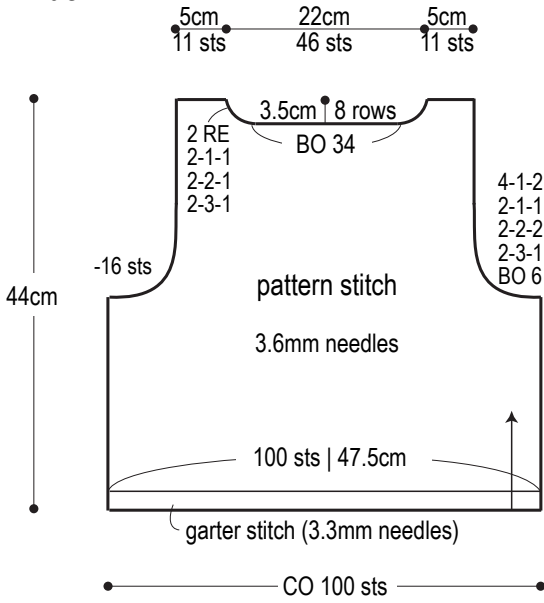
Front and back body: Cast on with long-tail cast-on method, and work in garter stitch followed by pattern stitch. For front only, work center panel in stockinette stitch.

Finishing: Seam shoulders with slip stitch. Seam sides with mattress stitch. Pick up stitches around neckline and work collar in k1p1 ribbing. Bind off in pattern. Pick up stitches around each armhole and work cuff in garter stitch in the round. Bind off in pattern.

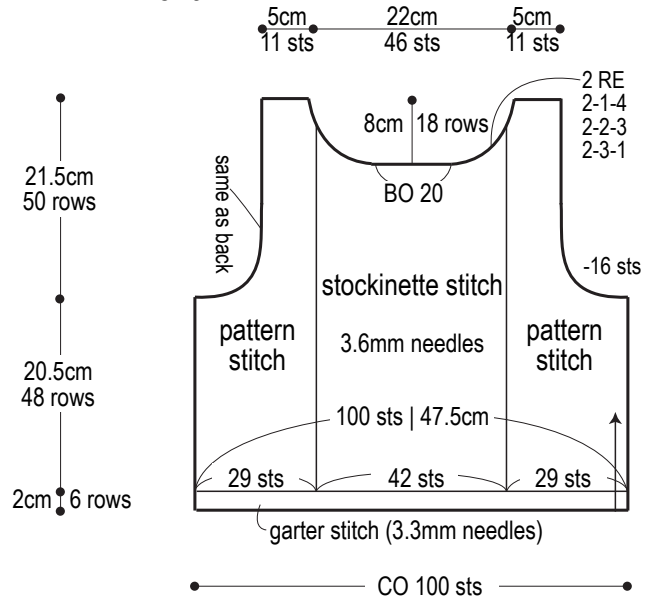
Abbreviations:

- BO = bind off
- CO = cast on
- PU = pick up
- RE = row(s) even
- #-#-# = rows-stitches-times

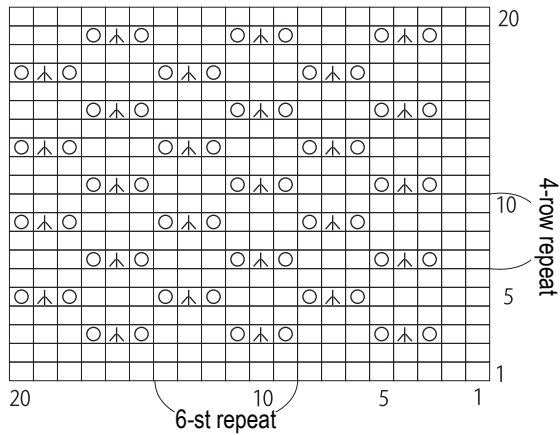
Back



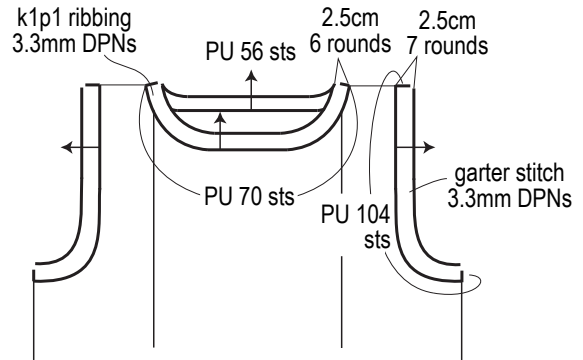
Front



Pattern stitch (3.6mm needles) □ = □ knit



Finishing



Front (3.6mm needles)

