

212s-17 Giza Cotton Vest



Suggested yarn:

- Pierrot Yarns Giza 45 Cotton [100% Egyptian cotton; 109 yds/100m per 1.41 oz./40g skein]; color #07 pansy, 7 skeins [260g]

Tools/Notions:

- 3.3mm (approx. US 3) knitting needles or size necessary to achieve gauge
- 2.5mm (approx. US B or C) crochet hook or size necessary to achieve gauge

Finished measurements:

- bust 94cm/37.01"
- cross back width 49cm/19.29"
- length 51.5cm/20.28"

Gauge (10cm/4" square):

- pattern stitch A, B: 23 sts and 34.5 rows (Note: gauge has been adjusted to compensate for stretching found with sideways knitting.)

Gauge may vary according to individual knitting style. Change needle size if necessary to achieve gauge. Alternatively, rework pattern with your own gauge measurements.

Knitting Tips

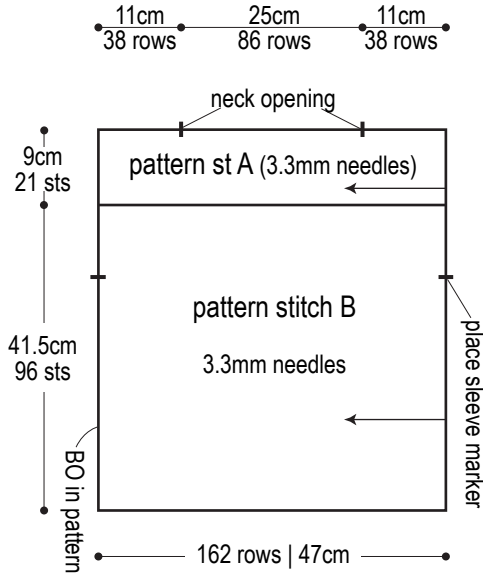
Front and back body: Cast on with long-tail cast-on method, and work in pattern stitches A and B. While knitting, place markers for sleeve and neck opening. When finished, bind off in pattern.

Finishing: Seam shoulders with mattress stitch up until markers for neck opening. Seam sides with slip stitch, leaving armholes open where marked. Work 2 rounds of edging in the round along neckline, armholes, and hem.

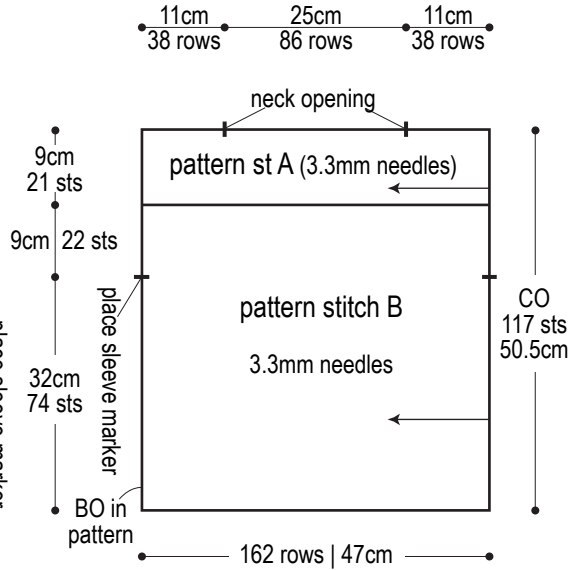
Abbreviations:

BO = bind off
CO = cast on

Back

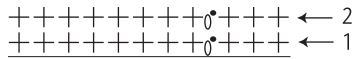


Front

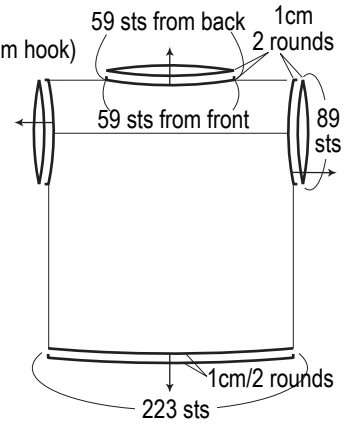


*Symbols — and ■ = place marker here.

Edging (2.5mm hook)



Finishing (2.5mm hook)



Pattern stitch (3.3mm needles)

