

211s-34 Casual Necktie



Suggested yarn:

- version A:
 - Pierrot Yarns Beauty Silk Cotton [90% cotton, 10% silk; 180 yds/165m per 1.06 oz./30g skein];
 - color #09 old rose, 1 skeins [10g]
 - color #10 dark blue, 2 skeins [55g]
- version B:
 - Pierrot Yarns Soft Silk Ramie [70% ramie, 30% silk; 514 yds/470m per 3.53 oz./100g cone];
 - color #05 silver gray, 1 cone [70g]
 - color #13 navy, 1 cone [70g]

Tools/Notions:

- version A: 2.5mm (approx. US B or C) crochet hook or size necessary to achieve gauge
- version B: 2.3mm (approx. US B) crochet hook or size necessary to achieve gauge

Finished measurements:

- version A, version B: width (at widest point) 6cm/2.36"
- version A: length 148.5cm/58.46"
- version B: length 149cm/58.66"

Gauge (10cm/4" square):

- version A: single crochet (US): 32 sts and 33 rows
- version B: single crochet (US): 34 sts and 34 rows

Gauge may vary according to individual crochet style. Change hook size if necessary to achieve gauge. Alternatively, rework pattern with your own gauge measurements.

Crochet Tips

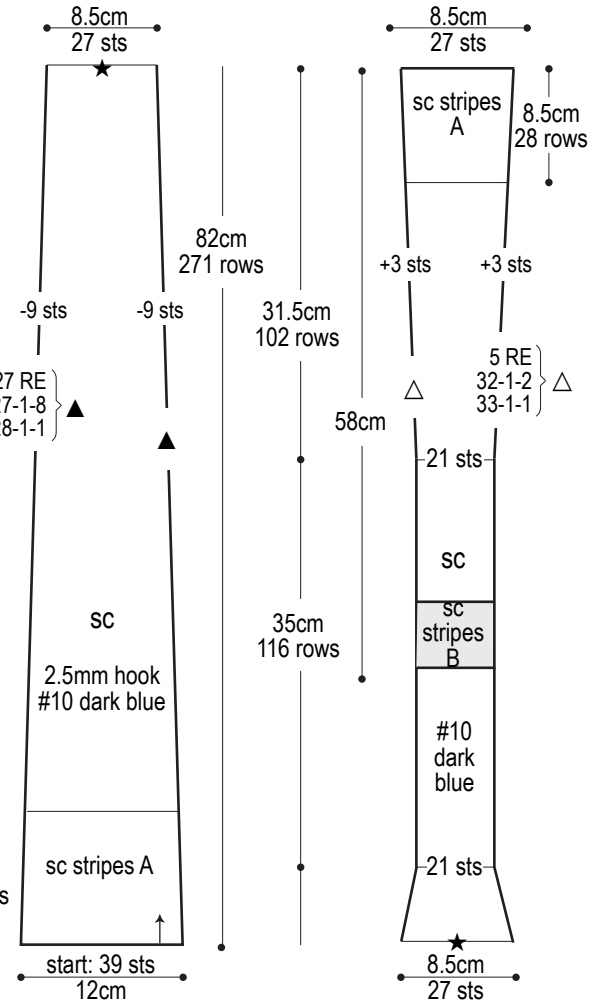
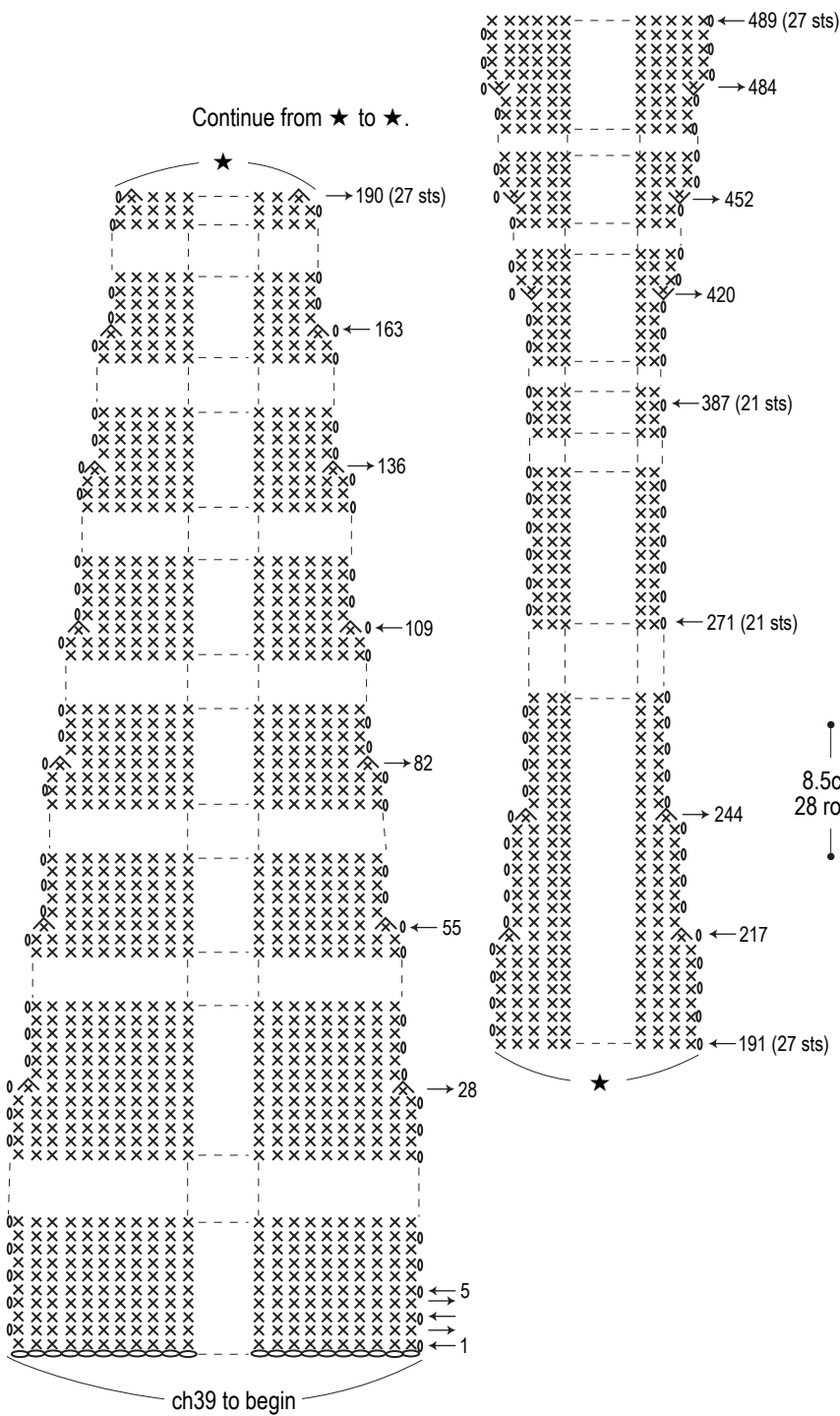
Both versions: Chain 39 to begin, and work first row into bottom loops of chain. Work in sc, making stripes where indicated on chart. Seam the long sides together using whipstitch, forming a tube. Block into shape with an iron, making sure that the seam is at the center back. Seam first row and last row, pulling seam slightly to back side (refer to finishing schematic). Crochet keeper (loop) and whipstitch to back side of tie 15cm/5.91" from bind-off row.

Abbreviations:

ch = chain
sc = single crochet (US)
RE = rows even (i.e., no increases or decreases)
= rows-stitches-times

Necktie A

(2.5mm hook)



sc stripes A

#09 old rose	4 rows
#10 dark blue	4 rows
#09 old rose	6 rows
#10 dark blue	4 rows
#09 old rose	10 rows

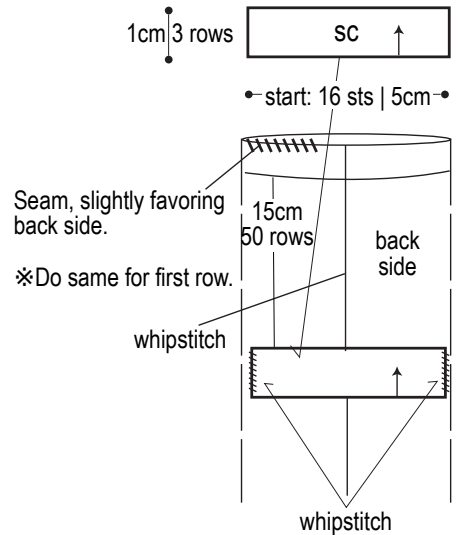
sc stripes B

#10 dark blue	4 rows
#09 old rose	6 rows
#10 dark blue	4 rows
#09 old rose	6 rows

※If you set a stripe in this position, this area can serve as a guide when the knot is tied.

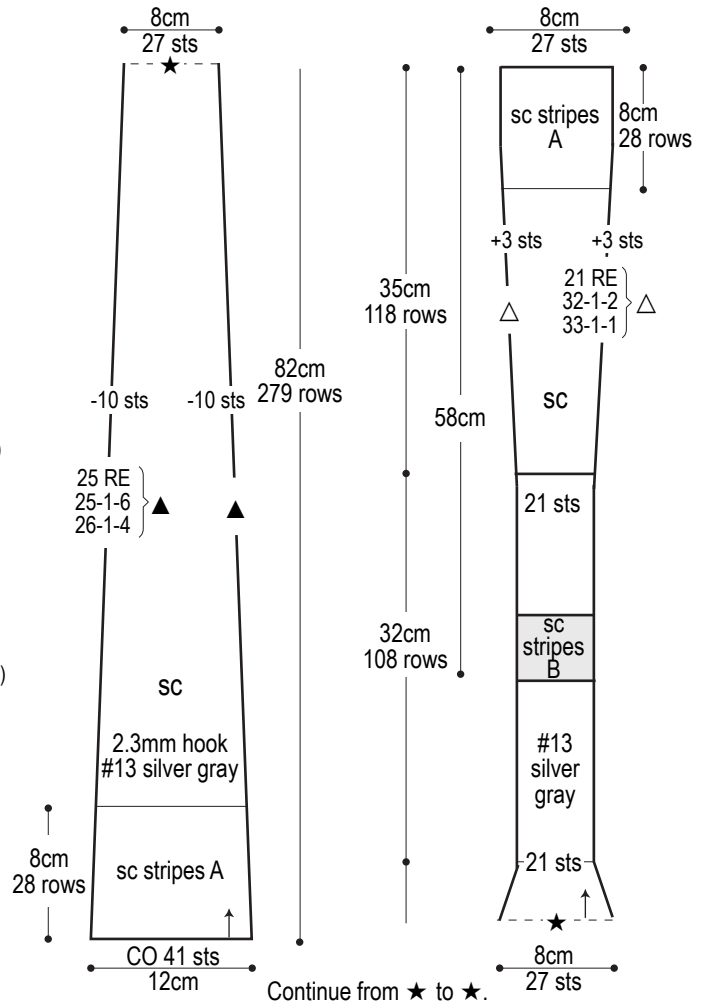
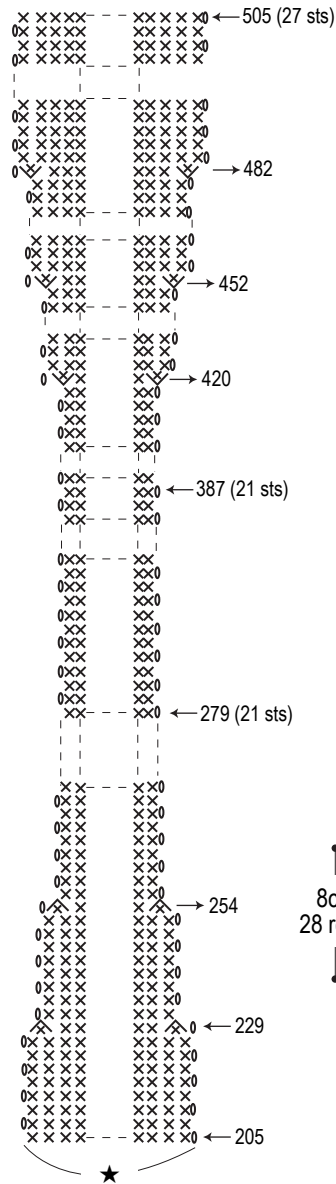
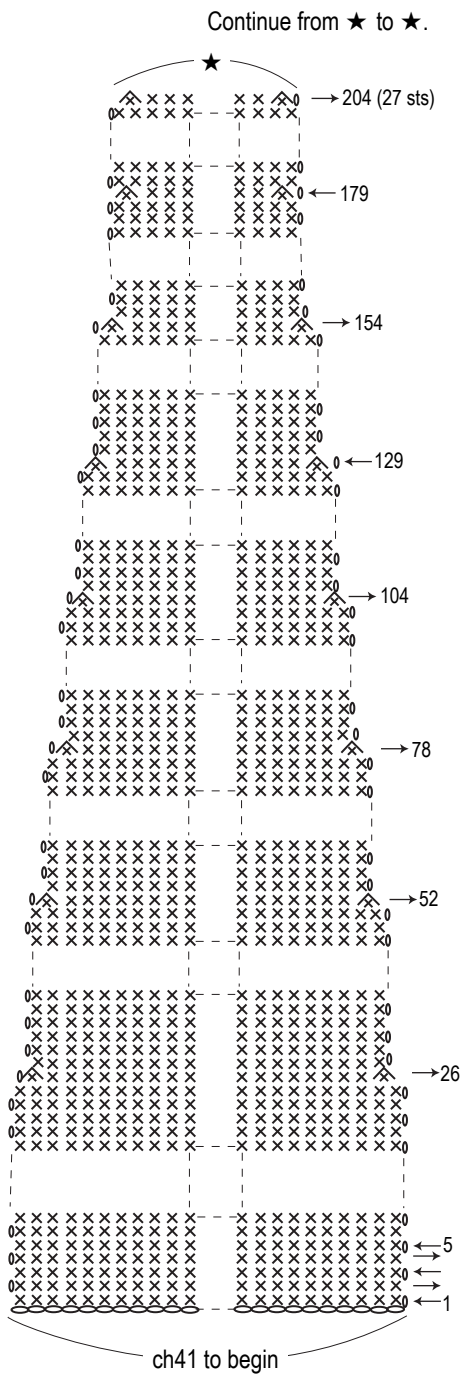
Finishing & keeper (loop)

(2.5mm hook, #10 dark blue)



Necktie B (versions 1 & 2)

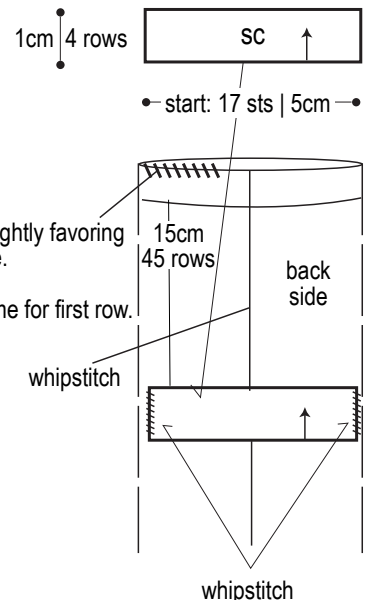
(2.3mm hook)



Finishing & keeper (loop)

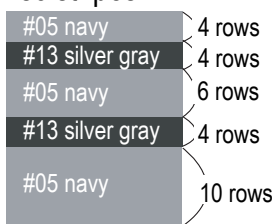
(2.3mm hook)

Crochet keeper in same color as body of tie.

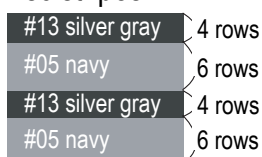


*Versions 1 and 2 are worked identically, only with color sequence reversed.

sc stripes A



sc stripes B



*If you set a stripe in this position, this area can serve as a guide when the knot is tied.