

27-27 Child's Vest



Suggested yarn:

- Pierrot Yarns Hidamari [75% cotton, 25% ramie; 82 yds/75m per 1.06 oz./30g skein]; color #78 pale pink, 5 skeins [130g]

Tools/Notions:

- 3.0mm (approx. US C or D) crochet hook or size necessary to achieve gauge

Finished measurements:

- chest 68cm/26.77"
- cross back width 30cm/11.81"
- length 37cm/14.57"

Gauge (10cm/4" square):

- pattern stitch: 24 sts and 10 rows

Gauge may vary according to individual crochet style. Change hook size if necessary to achieve gauge. Alternatively, rework pattern with your own gauge measurements.

Crochet Tips

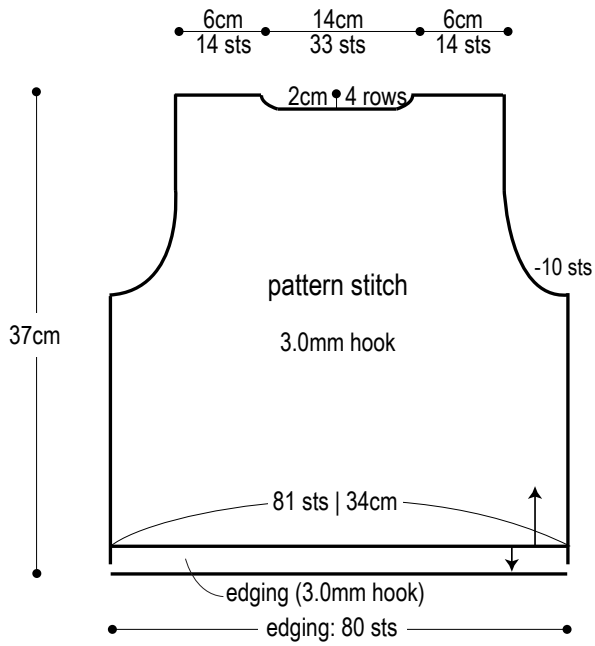
Body: Chain to begin, and work first row into bottom loops of chain. Work in pattern stitch according to schematics.

Finishing: Seam shoulders with chain seam (alternating chain and sc stitches as needed). Seam sides with chain seam (alternating chain and sc stitches as needed). Work 3 rounds of edging around hem, armholes, and neckline.

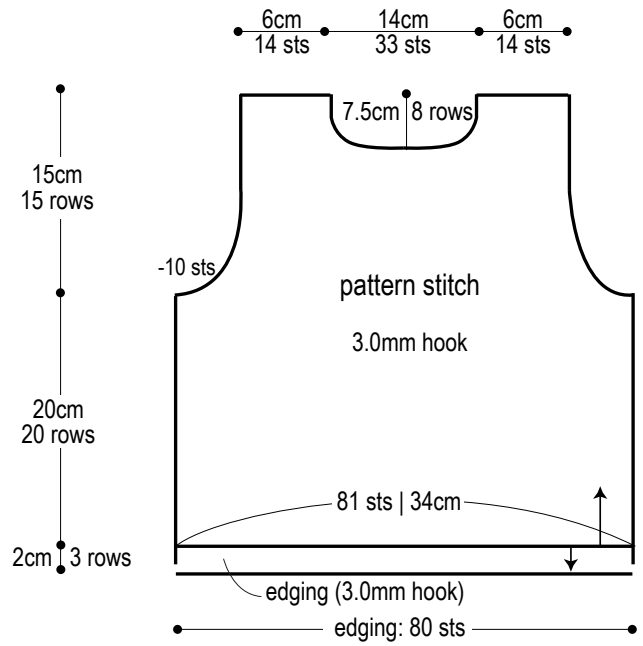
Abbreviations:

- ch = chain
- sc = single crochet (US)

Back



Front



Collar & cuff edging (3.0mm hook)

