

# 212ss-17 Silk Garden Suit



## Suggested yarn:

- Pierrot Yarns Silk Garden [100% silk; 208 yds/190m per 1.41 oz./40g skein];
  - color #01 off-white, 2 skeins [80g]
  - color #04 beige, 13 skeins [510g]
  - color #08 purple, 2 skeins [80g]
  - color #15 saffron, 4 skeins [160g]

## Tools/Notions:

- 3.0mm (US 2½) and 3.3mm (approx. US 3) straight knitting needles or sizes necessary to achieve gauge
- 3.0mm (US 2½) and 3.3mm (approx. US 3) double-pointed knitting needles or sizes necessary to achieve gauge
- elastic for waistband (25mm/0.98" wide, 68cm/26.77" long)

## Finished measurements:

- bust 92cm/36.22"
- cross back width 35cm/13.78"
- pullover length 52cm/20.47"
- sleeve length 40cm/15.75"
- waist 66cm/25.98"
- skirt length 71.5cm/28.15"

## Gauge (10cm/4" square):

- stockinette stitch: 25 sts and 34 rows
- pattern stitch: 25 sts and 27.5 rows

*Gauge may vary according to individual knitting style. Change needle size if necessary to achieve gauge. Alternatively, rework pattern with your own gauge measurements.*

## Knitting Tips

※Work both garments with 2 strands of yarn held together.

**Back & front body; sleeves:** Cast on with crochet provisional cast-on method. Work in stockinette stitch. Pick up stitches around hem and cuffs; work edging in garter stitch.

**Skirt:** Cast on with long-tail cast-on method. Work in striped pattern stitch, working evenly spaced decreases as indicated. Make 2 pieces: front and back. Seam sides with mattress stitch. Pick up stitches around waistline, and work belt in the round.

**Finishing:** Seam shoulders with slip stitch. Seam sides and sleeve undersides with mattress stitch. Seam sleeves to body with slip stitch. Insert elastic into waistband, and tack waistband down, leaving approximately 3cm/0.79" unseamed. (Sew elastic into ring with 2cm/1.18" overlapping.)

## Abbreviations:

BO = bind off

CO = cast on

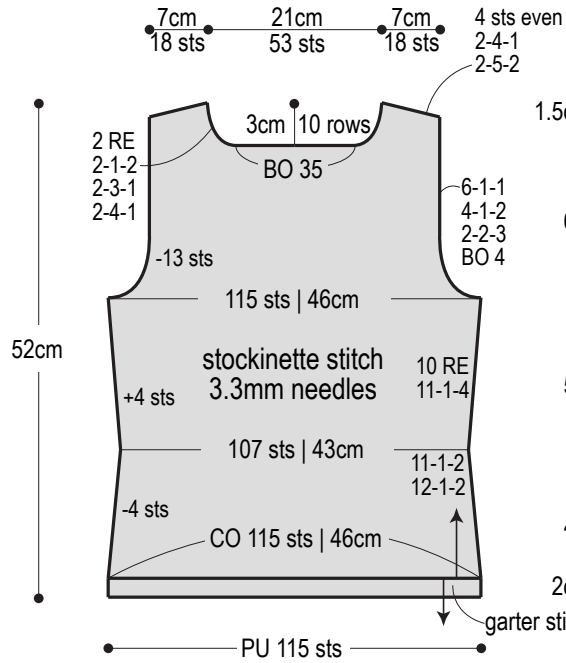
PU = pick up

RE = row(s) even

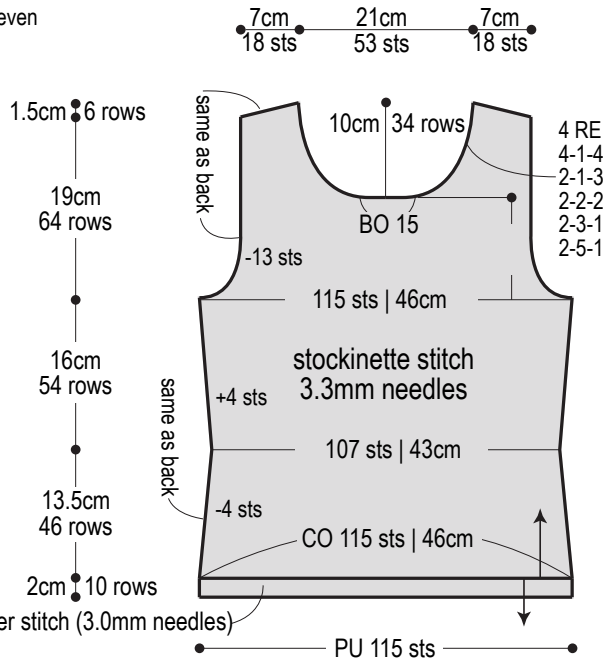
#-#-# = rows-stitches-times

#-#-#-# = rows-places-stitches-times [for evenly spaced decreases worked across entire width of an item]

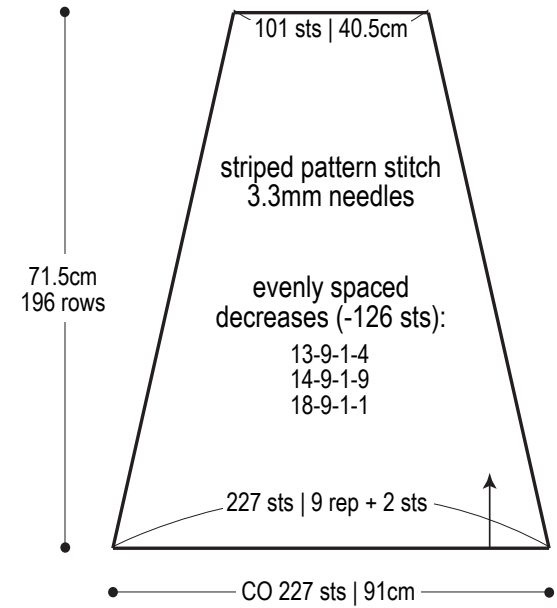
**Back (#04 beige)**



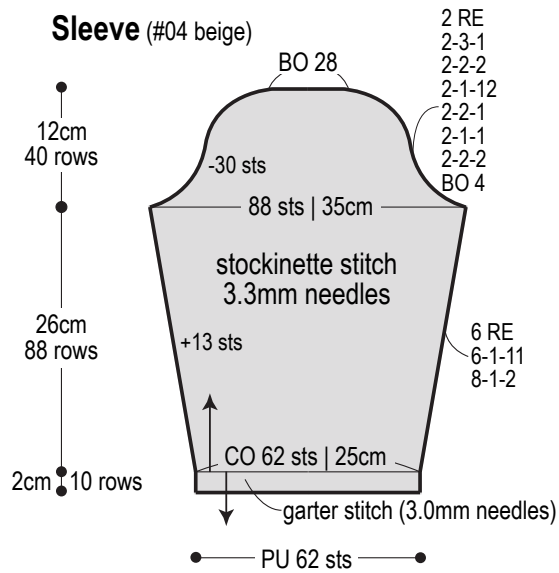
**Front (#04 beige)**



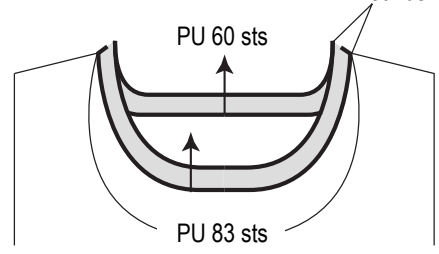
**Skirt (make 2: front & back)**



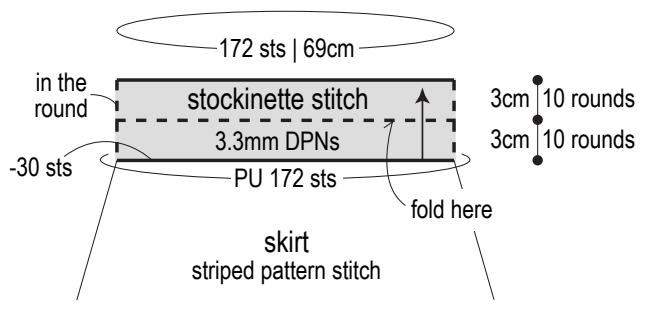
**Sleeve (#04 beige)**



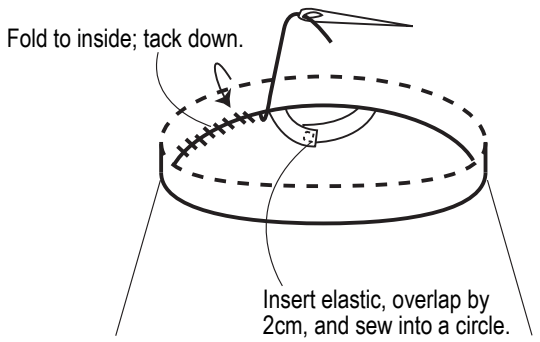
**Collar** (3.0mm DPNs; garter stitch) #04 beige  
3cm  
14 rounds



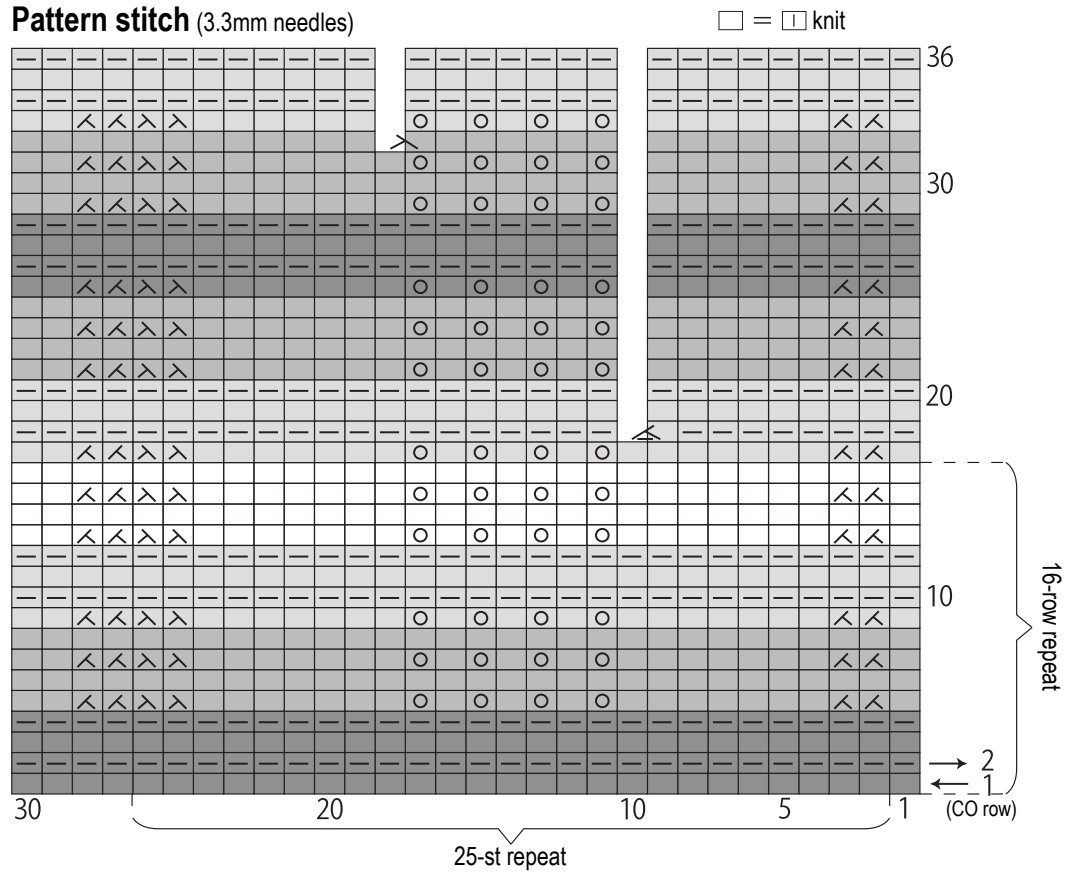
**Belt** (#04 beige)



**Finishing**



**Pattern stitch** (3.3mm needles)



- = #01 off-white
- = #04 beige
- = #08 purple
- = #15 saffron
- = YO
- △ = ssk (slip, slip, knit)
- ◁ = k2tog (knit 2 together)