

211F-8 Long Hooded Vest



Suggested yarn:

- Pierrot Yarns Nep Tweed Old [85% acrylic, 10% wool, 5% polyester; 55 yds/50m per 1.41 oz./40g skein]; color #7 dark olive, 14 skeins [550g]

Tools/Notions:

- 5.1mm (approx. US 8) and 5.7mm (approx. US 9) straight knitting needles or sizes necessary to achieve gauge
- 5.1mm (approx. US 8) double-pointed knitting needles or size necessary to achieve gauge
- 5 buttons (25mm/0.98")

Finished measurements:

- bust 96cm/37.80"
- cross back width 42cm/16.54"
- length 75cm/29.53"

Gauge (10cm/4" square):

- pattern stitch A, B: 14 sts and 19 rows
- seed stitch: 11 sts and 19 rows
- stockinette stitch: 10 sts and 19 rows
- pattern stitch C: 10 sts and 19 rows

Gauge may vary according to individual knitting style. Change needle size if necessary to achieve gauge. Alternatively, rework pattern with your own gauge measurements.

Knitting Tips

Back and front body: Cast on for back with long-tail cast-on method and work in k2p2 ribbing, seed stitch, and pattern stitch A. Work front in k2p2 ribbing, seed stitch, pattern stitch B, and pattern stitch C. On right front, work buttonholes in pattern stitch C section. Shape sides and armholes with fully fashioned decreases (worked 1 stitch in from the edge).

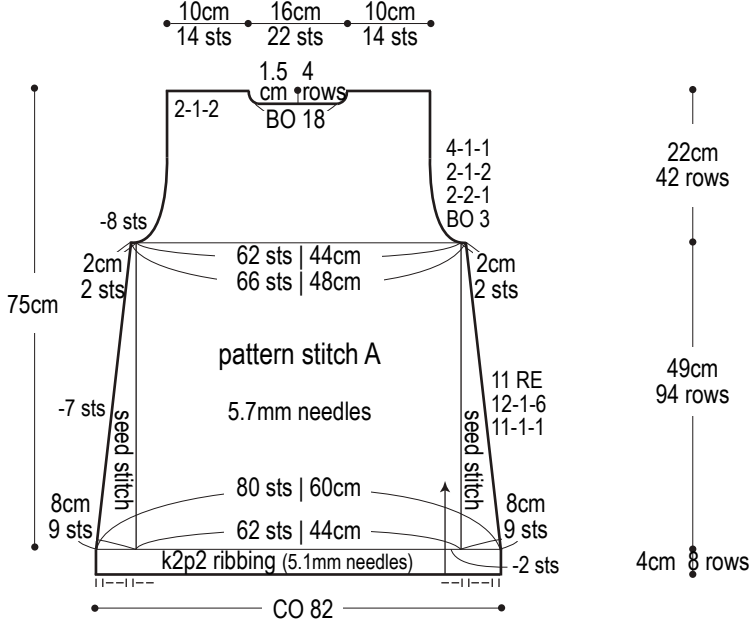
Finishing: Seam sides with mattress stitch. Seam shoulders with slip stitch. Pick up stitches around armholes and work cuffs in k2p2 ribbing in the round. Bind off in pattern.

Hood: Pick up stitches from front and back neckline. Work in stockinette stitch and pattern stitch C according to chart. Finish hood by placing right sides facing each other and seaming with slip stitch. Fasten buttons to left front band.

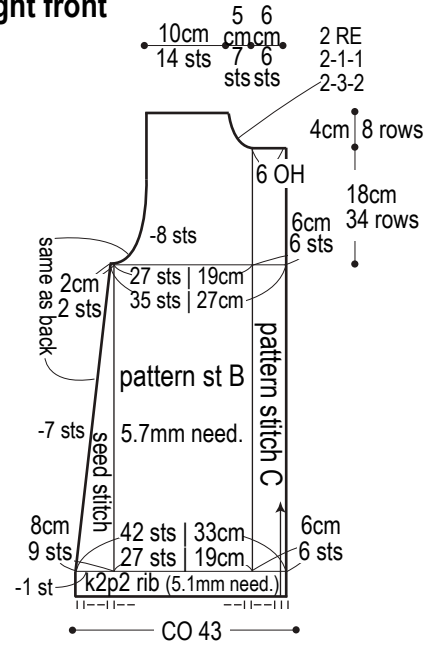
Abbreviations:

- BO = bind off
- C4B = cable 4 back
- CO = cast on
- OH = on hold (i.e., place on stitch holder)
- PU = pick up
- RE = row(s) even
- tbl = through back loop
- #-#-# = rows-stitches-times

Back

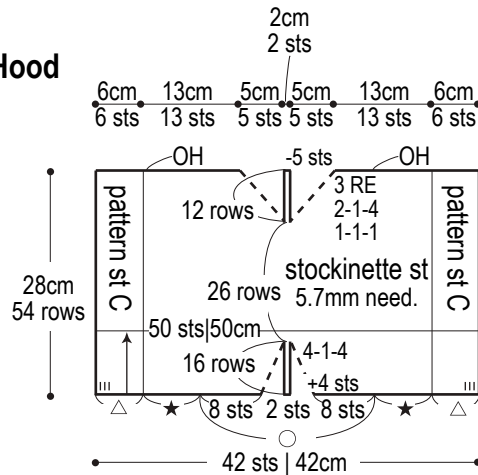


Right front



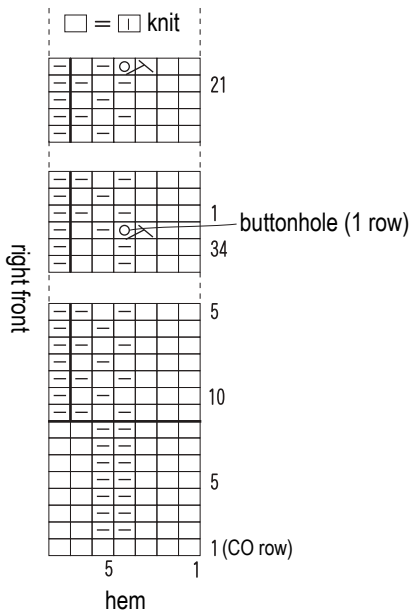
*Reverse shaping for left front.

Hood

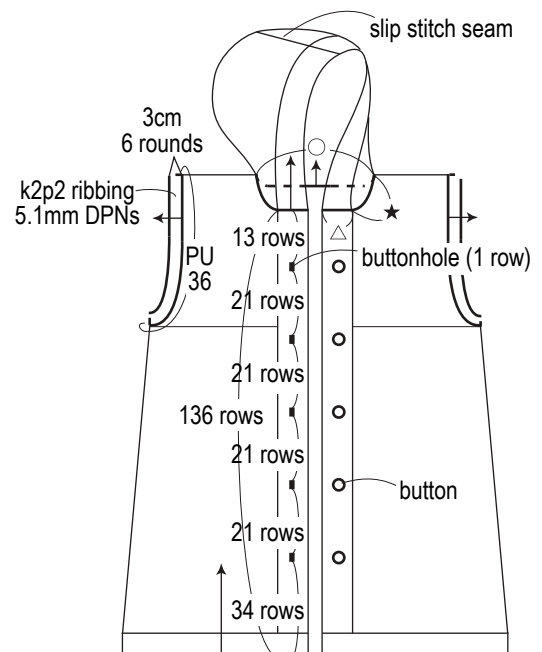


Finishing

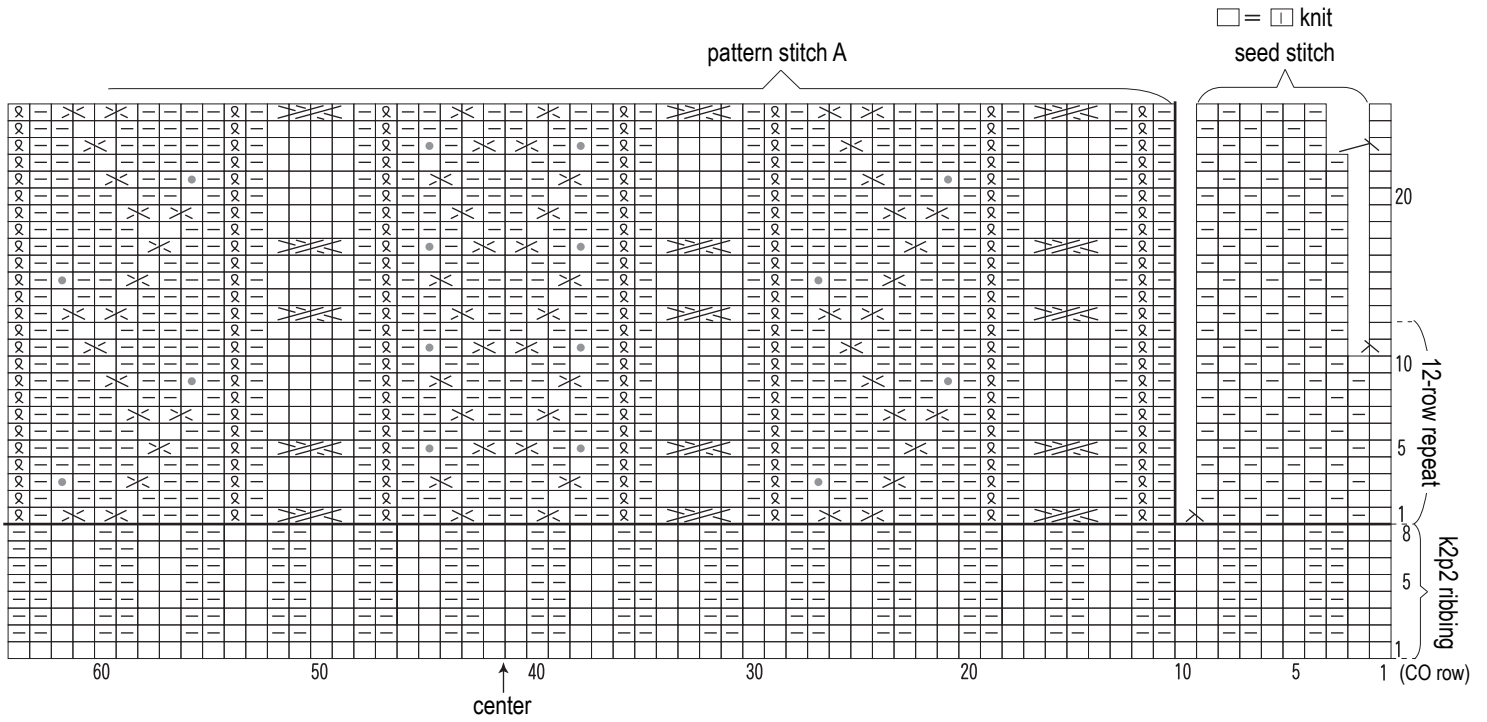
Buttonholes (5.7mm needles)



- △ = PU 6 sts from △ on front
- ★ = PU 6 sts from ★ on front
- = PU 18 sts from ○ on back



Back: pattern stitch (5.7mm needles)



Right front: pattern stitch (5.7mm needles)

