

212ss-01 Carta Cardigan



Suggested yarn:

- Pierrot Yarns Carta [90% cotton, 10% silk; 133 yds/122m per 1.41 oz./40g skein]; color #58 Ecrú Beige, 9 skeins [345g]

Tools/Notions:

- 3.0mm (US 2½) and 3.3mm (approx. US 3) knitting needles or sizes necessary to achieve gauge

Finished measurements:

- bust 91.5cm/36.02"
- cross back width 45cm/17.72"
- length 70cm/27.56"
- sleeve length 34.5cm/13.58"

Gauge (10cm/4" square):

- pattern stitch: 21 sts and 28 rows
- stockinette stitch: 24 sts and 32 rows
- k2p2 ribbing: 24 sts and 32 rows

Gauge may vary according to individual knitting style. Change needle size if necessary to achieve gauge. Alternatively, rework pattern with your own gauge measurements.

Knitting Tips

Body and sleeves: Cast on with long-tail cast-on method. Work in k2p2 ribbing, then pattern stitch. For left and right front pieces, work front band in k1p1 ribbing as you knit the body.

Finishing: Seam shoulders with slip stitch. Seam sides and sleeve undersides with mattress stitch. Knit pockets in stockinette stitch and k2p2 ribbing. Bind off in pattern. Fasten pockets to front body where indicated. Align back collar and front collar where marked; seam together with stitches-to-rows seam. Seam sleeves to body with slip stitch.

Abbreviations:

BO = bind off

CO = cast on

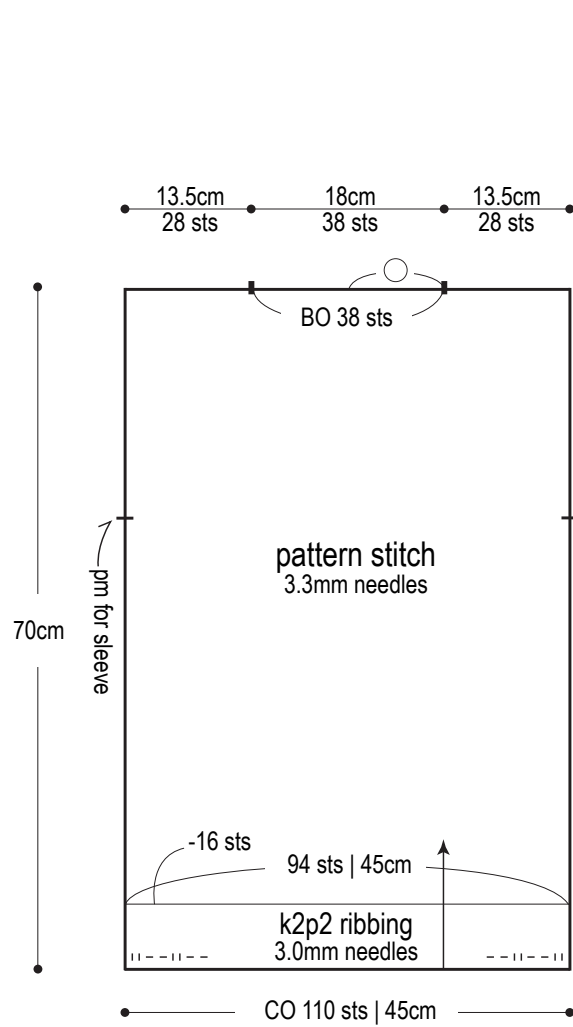
OH = on hold (i.e., place on stitch holder)

pm = place marker

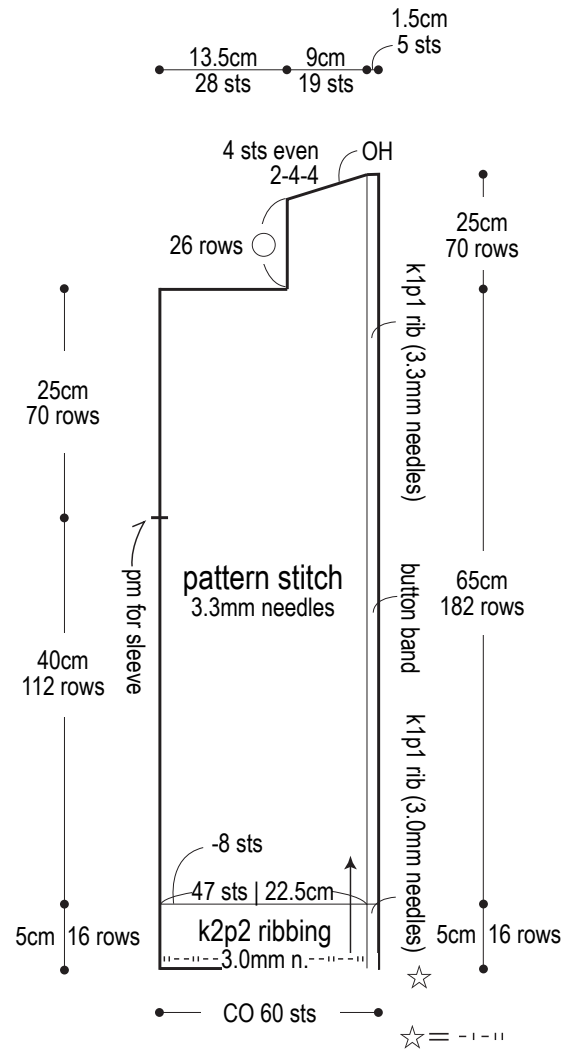
RE = row(s) even

#-#-# = rows-stitches-times

Back

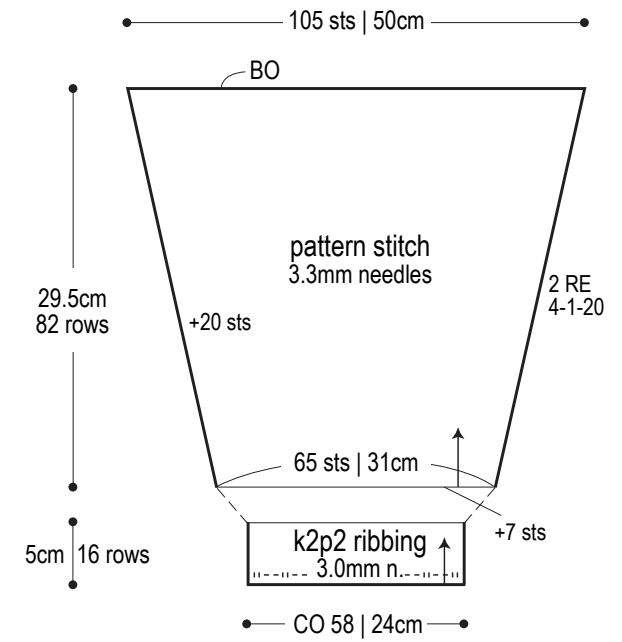


Right front

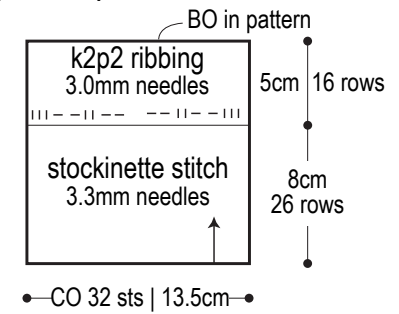


*Reverse shaping of right front for left front.

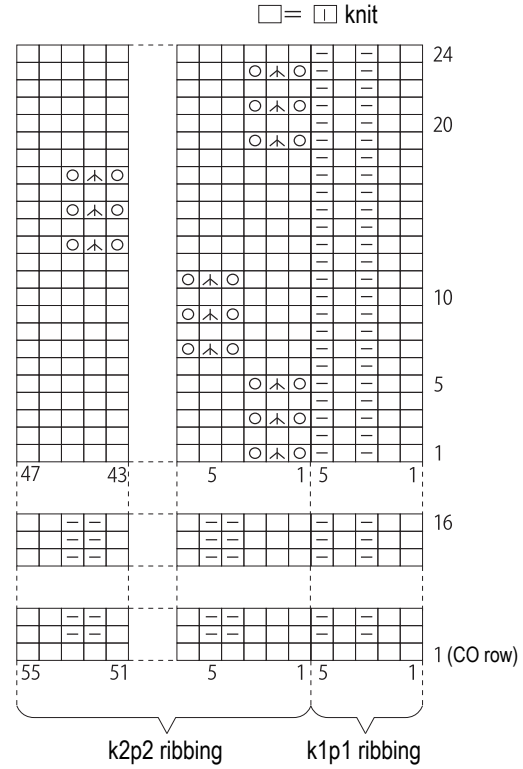
Sleeve



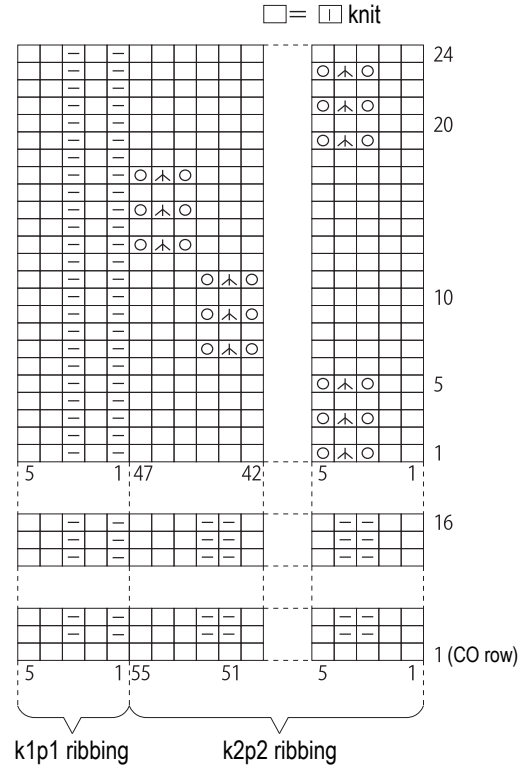
Pocket (make 2)



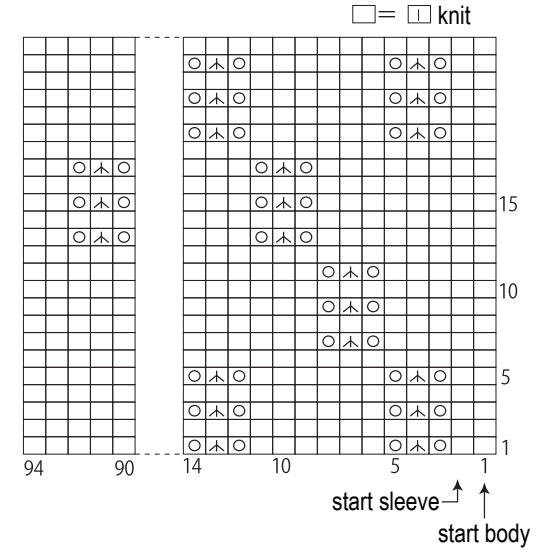
Right front: pattern stitch



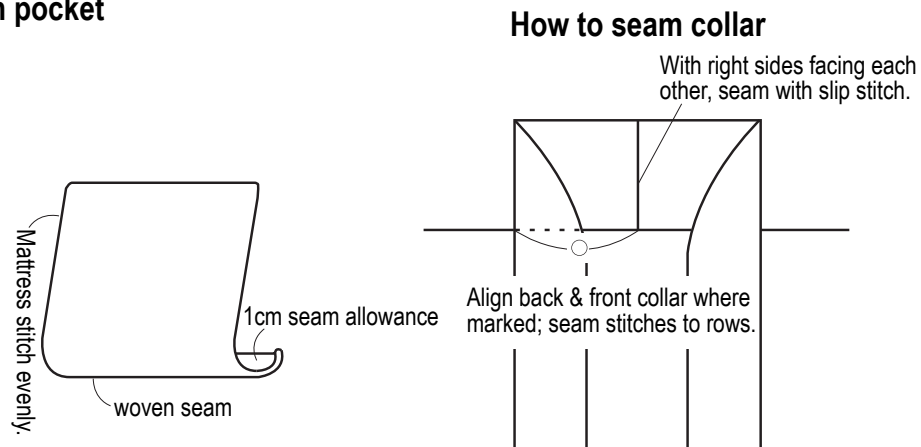
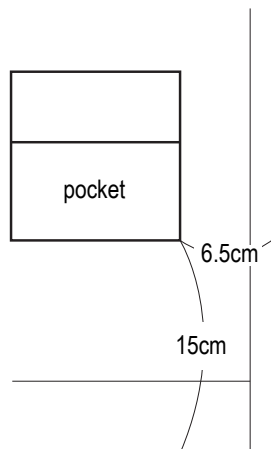
Left front: pattern stitch



Back & sleeves: pattern stitch



How to attach pocket



Pattern stitch

