

# 210-60 Triangular Shawl



## Suggested yarn:

- Pierrot Yarns Tape Slub [60% acrylic, 40% cotton; 142 yds/130m per 3.53 oz./100g cone]; color #271 biscuit, 3 cones [280g]

## Tools/Notions:

- 6.0mm (US J) crochet hook or size necessary to achieve gauge

## Finished measurements:

- width 147cm/57.87"
- height 56.5cm/22.24"

## Gauge:

- pattern stitch: 5 net spaces = approx. 18cm/7.09", 7.5 rows = 10cm/4"

*Gauge may vary according to individual crochet style. Change hook size if necessary to achieve gauge. Alternatively, rework pattern with your own gauge measurements.*

## Crochet Tips

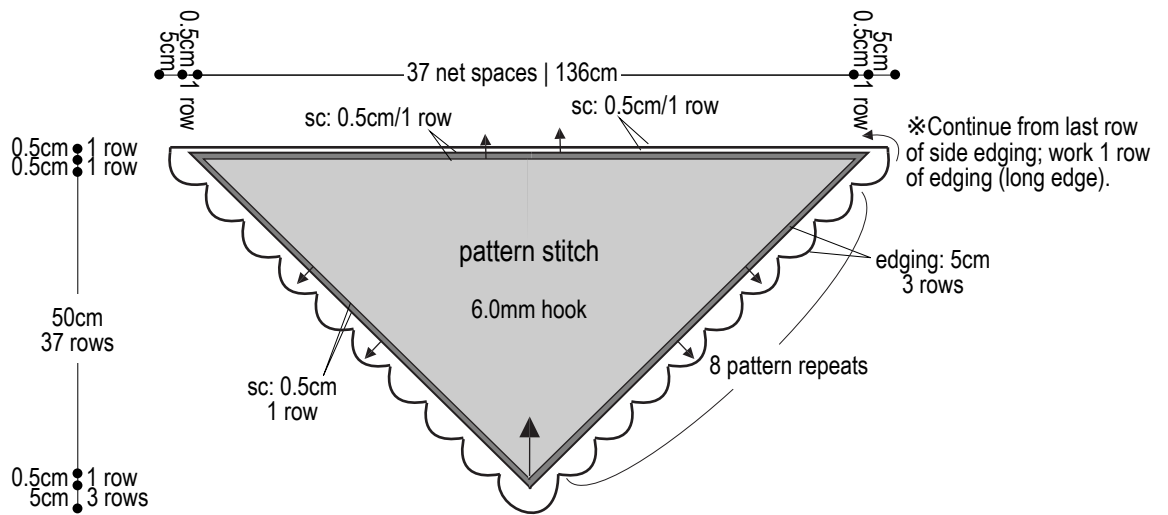
**Body:** ch1, ch3 more for turning post, then crochet in pattern stitch according to chart. Continue to edging, working 1 round of single crochet (US) along all three edges.

**Finishing:** Without cutting yarn, work 3 rows of edging on two of the shawl's sides. Still without cutting yarn, work 1 row of single crochet (US) along remaining edge (the longest edge). Use steam iron to block shawl into shape.

## Abbreviations:

sc = single crochet (US)

sc2tog = single crochet (US) two stitches together



### Triangular shawl (6.0mm hook)

