

Fiore Kids' Shorts



Suggested yarn:

- Keito-Zakka Stores Fiore [100% cotton; 148 yds/135m per 1.41 oz./40g skein]; color #07 saffron yellow/violet pink/silver gray/blue gray variegated, 4 skeins [140g]

Tools/Notions:

- 2.7mm (approx. US 2) and 3.0mm (US 2½) knitting needles or sizes necessary to achieve gauge
- 2.0mm crochet hook or size necessary to achieve gauge
- elastic for waistband (12mm/0.47" wide, 52cm/20.47" long)

Finished measurements:

To fit a child of 120cm/47.24" height.

- length 37.5cm/14.76"
- waist: one size fits most

Gauge (10cm/4" square):

- pattern stitch: 26 sts and 36 rows

Gauge may vary according to individual knitting style. Change needle size if necessary to achieve gauge. Alternatively, rework pattern with your own gauge measurements.

Knitting Tips

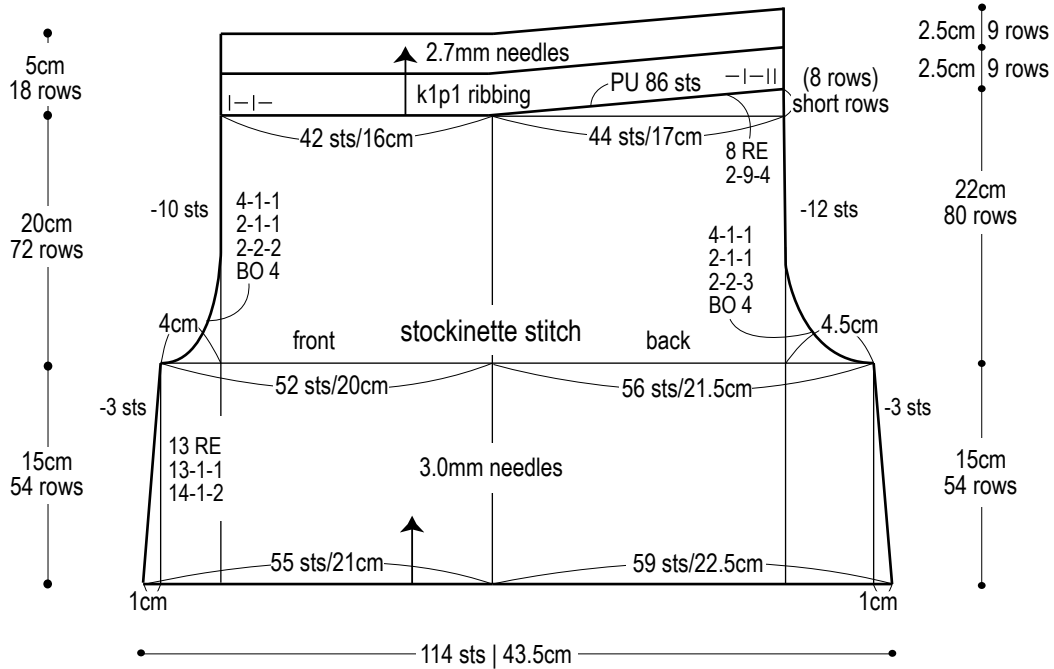
Shorts: Cast on with long-tail cast-on method. Knit left leg according to schematics. Reverse shaping for right leg.

Finishing: Seam inseam with mattress stitch. Seam crotch rise with mattress stitch, working from front to back. Fold waistband to inside at fold line. Insert elastic band into waistband while seaming to inside with whipstitch.

Abbreviations:

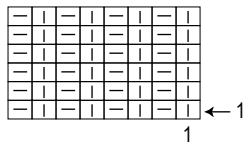
- BO = bind off
- PU = pick up
- RE = row(s) even
- ### = rows-stitches-times

Left leg

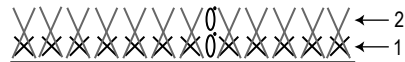


*Reverse shaping for right leg.

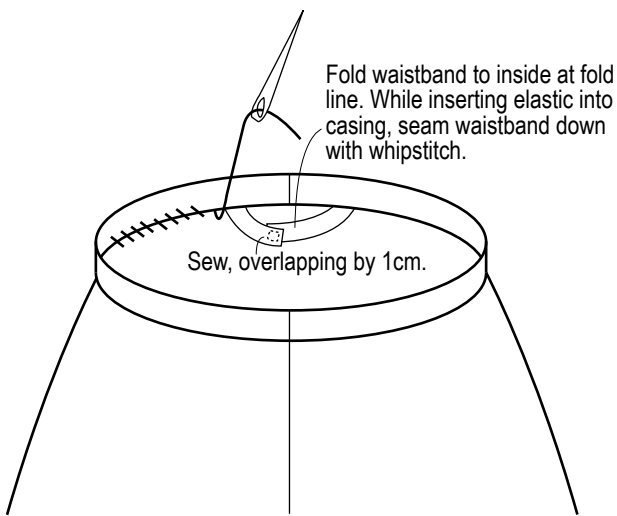
k1p1 ribbing



Hem edging (2.0mm hook)



Waist



Finishing

