

99-20-17 Silk Cashmere Jacket



Suggested yarns:

Both suggested yarns are discontinued - please choose appropriate substitutes.

- Pierrot Yarns Silk Cashmere Fingering [50% lamb's wool, 35% silk, 15% cashmere; 492 yds/450m per 3.53 oz./100g cone]; color #1701, 5 cones [450g]
- Pierrot Yarns Justy [60% polyester, 40% rayon; 984 yds/900m per 3.53 oz./100g cone]; color #6402, 3 cones [230g]

Tools/Notions:

- standard gauge knitting machine (4.5mm needle pitch) or knitting needles in size necessary to achieve gauge
- 2.5mm (approx. US B or C) crochet hook or size necessary to achieve gauge
- 7 buttons (15mm/0.59")

Finished measurements:

- bust 98cm/38.58"
- cross back width 38cm/14.96"
- length 58cm/22.83"
- sleeve length 54cm/21.26"

Gauge (10cm/4" square):

- pattern stitch: 31 sts and 75 rows

Gauge may vary according to individual knitting style. Change needle size if necessary to achieve gauge. Alternatively, rework pattern with your own gauge measurements.

Knitting Tips

※Work garment with 2 strands of yarn held together (1 strand of Silk Cashmere Fingering and 1 strand of Justy). Use 2 strands of Justy held together for edging.

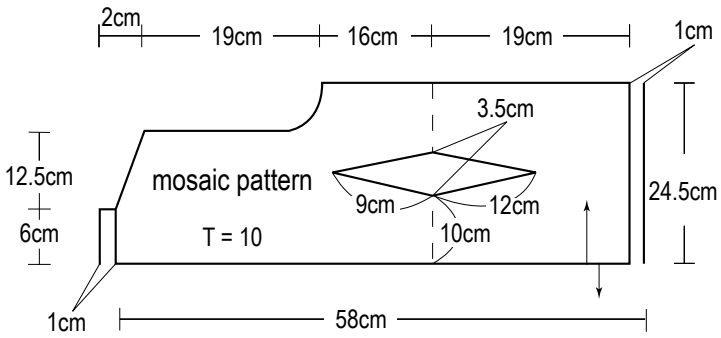
Front and back body; sleeves: Cast on for back body and sleeve using provisional cast-on method. Begin knitting from the center outward. Knit the second half by picking up stitches from the cast-on edge. Advance punchcard 3 rows when picking up for the second half of the back and sleeve. Remove side stitches from machine without binding off (knit off onto waste yarn, for example). Use waste yarn to knit buttonholes, then finish buttonholes by sewing buttonhole stitch from the back side. (Darts are formed with a sewing machine using back stitch.)

Finishing: Seam sides and sleeve undersides on machine. Use sewing machine to back stitch shoulder and sleeve. Crochet edging around using sc tbl. Attach decorative buttons to right side of collar tips.

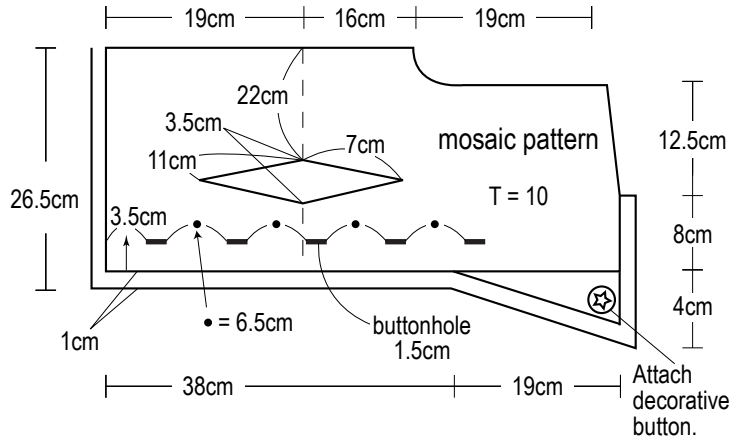
Abbreviations:

sc tbl = single crochet (US) through back loop only
T = tension dial setting

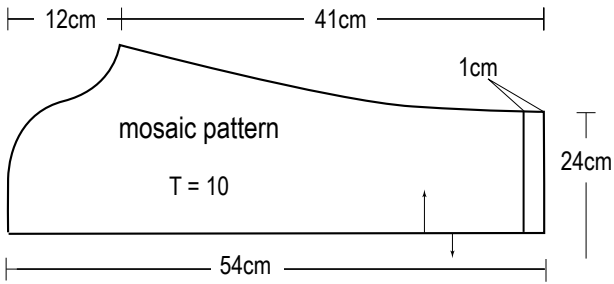
Back



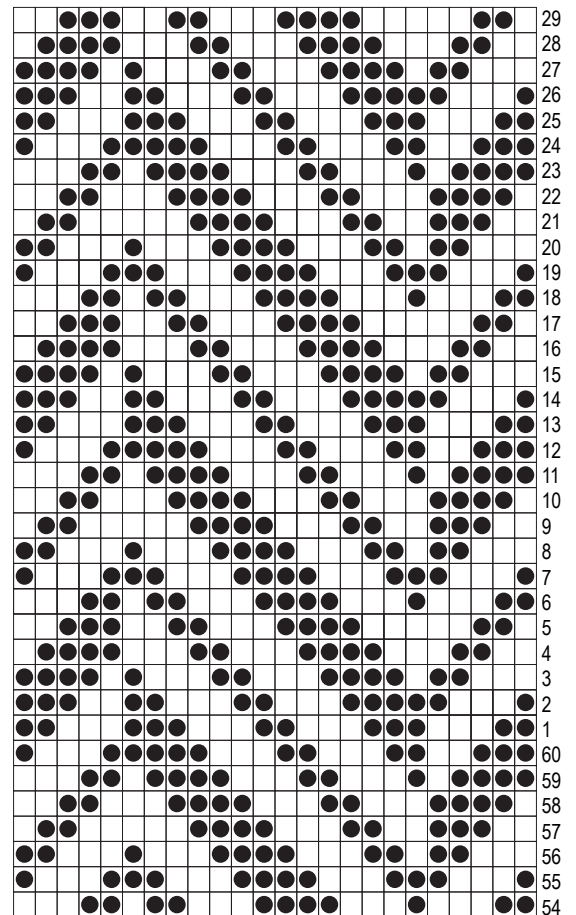
Front



Sleeve

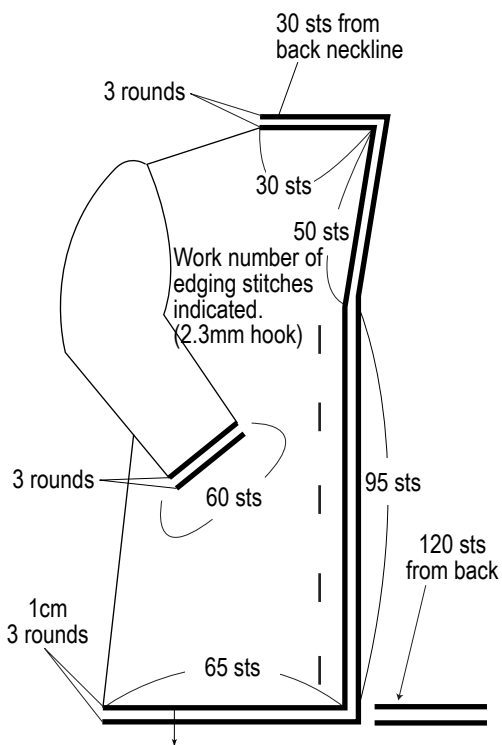


Mosaic punchcard



*Use purl side of fabric as right side.
24 sts & 12 rows = 1 pattern repeat

Edging (2.5mm hook, 2 strands of Justy)



Edging: corners

