

27-28-G774C Earflap Hat



Suggested yarn:

- Pierrot Yarns Knit Me! Wool [77% wool, 23% nylon; 62 yds/57m per 1.41 oz./40g skein];
 - child size: color #54 saxe blue, 2 skeins [65g]
 - adult size: color #58 gray-green, 3 skeins [85g]

Tools/Notions:

- 6.0mm (US J) and 7.0mm (US K) crochet hooks or sizes necessary to achieve gauge

Finished measurements:

- Please see schematics.

Gauge (10cm/4" square):

- double crochet (US) with 6.0mm hook: 9.5 sts and 4.5 rows
- double crochet (US) with 7.0mm hook: 10 sts and 5.5 rows

Gauge may vary according to individual crochet style. Change hook size if necessary to achieve gauge. Alternatively, rework pattern with your own gauge measurements.

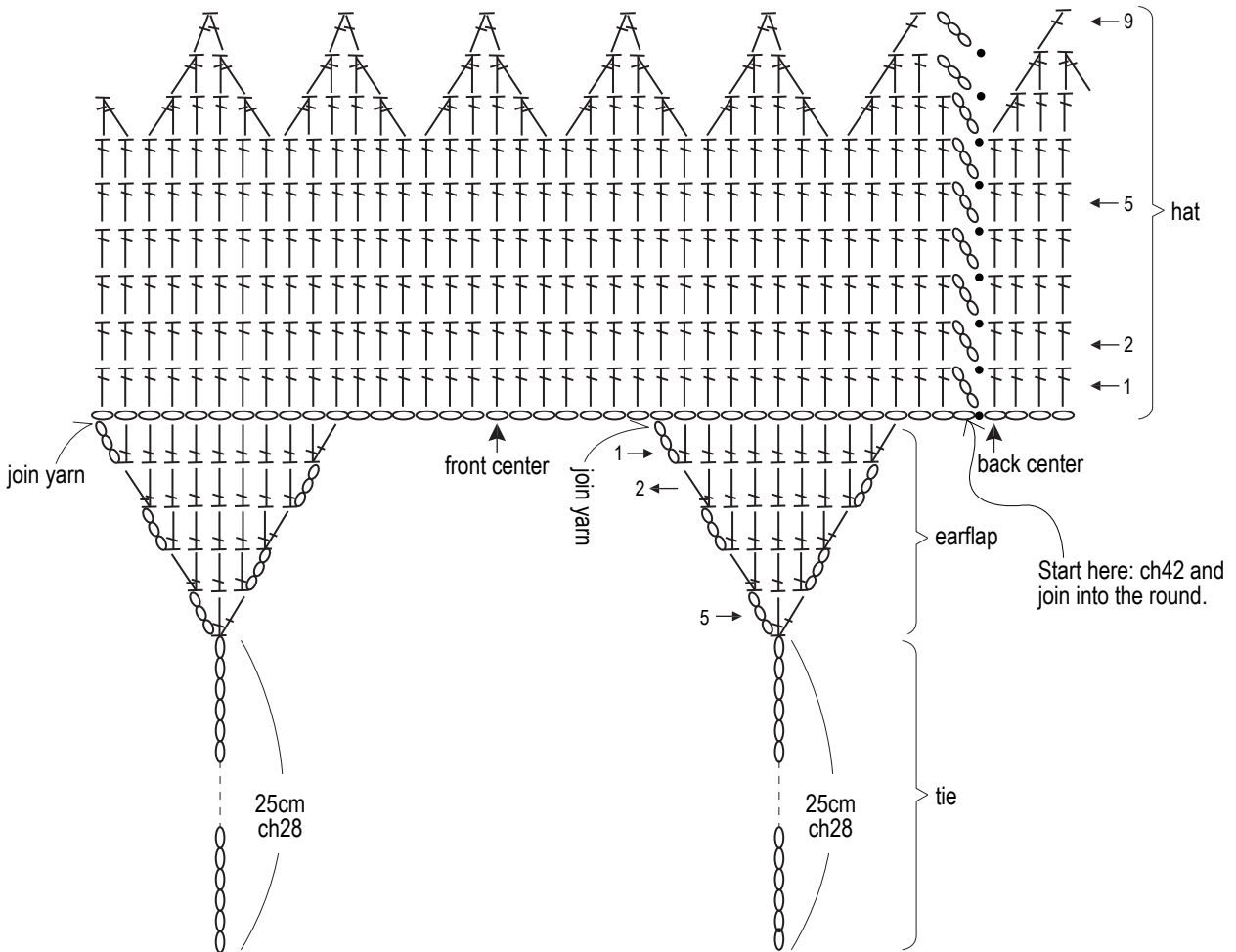
Crochet Tips

Body: Chain to begin; join into the round. Work hat in double crochet (US). Decrease on last three rounds. Cut yarn, draw through remaining stitches, and cinch shut. Work earflaps into edge of hat where shown. Continue from earflap to chain. Fasten tassel to end of each tie. Make pom-pom and attach to hat.

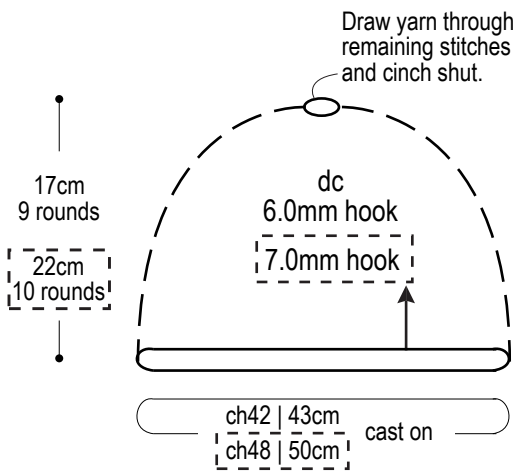
Abbreviations:

ch = chain
dc = double crochet (US)

Kid's hat (6.0mm hook)

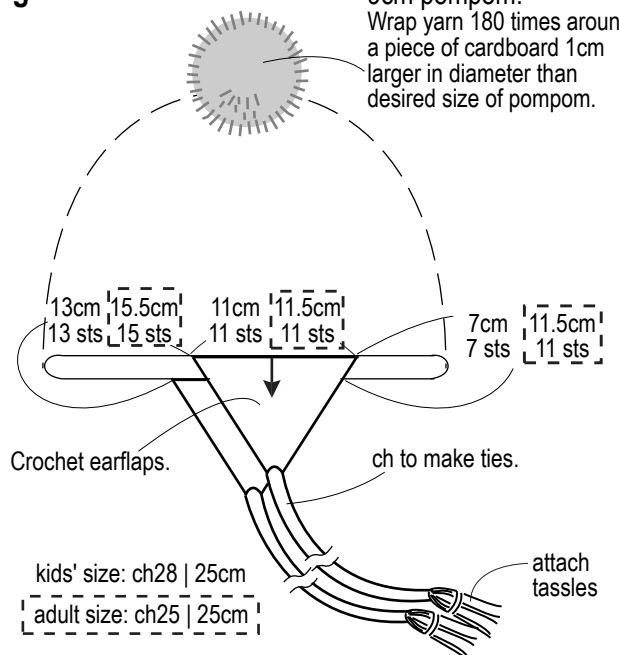


Hat finishing

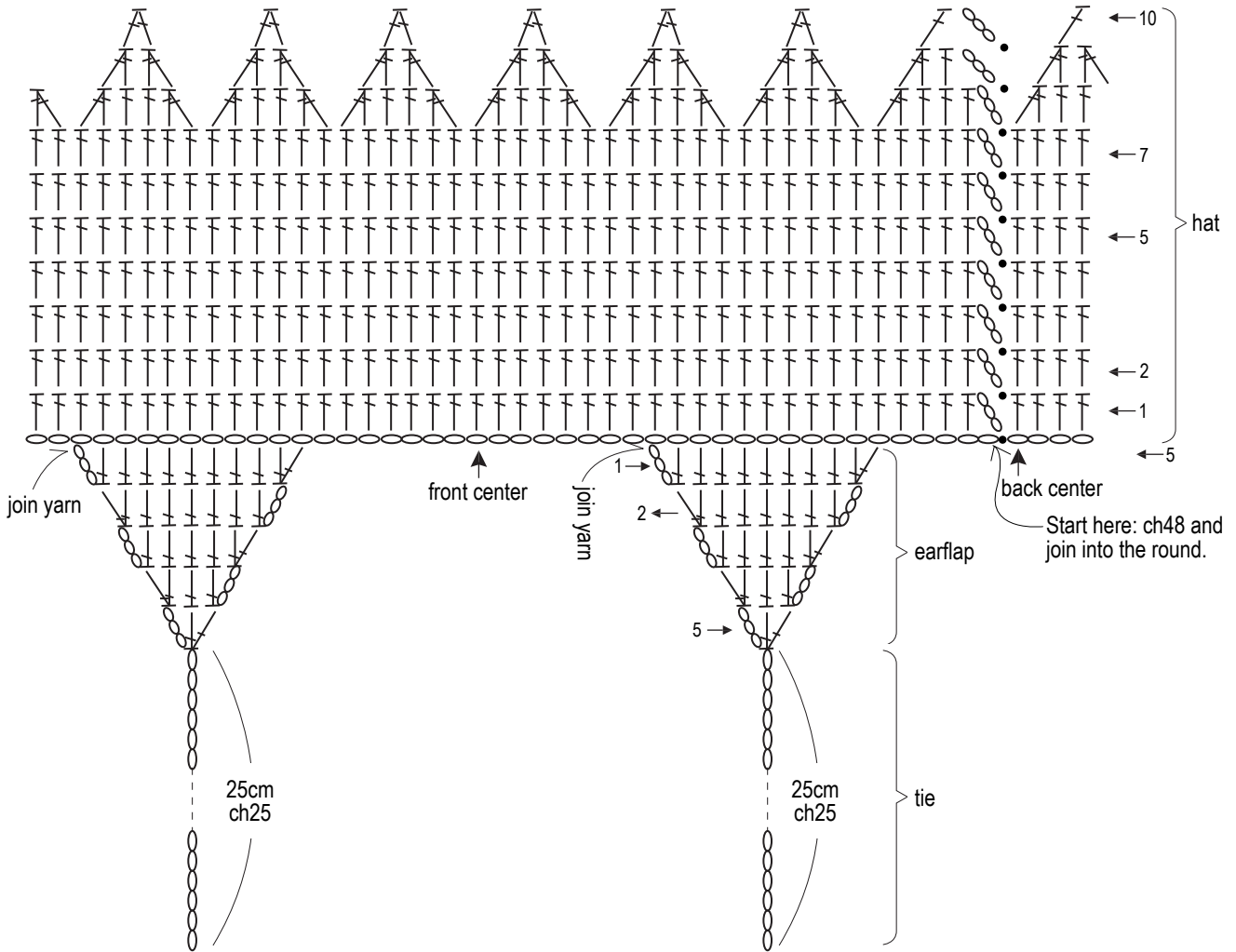


[dashed box] = adult size

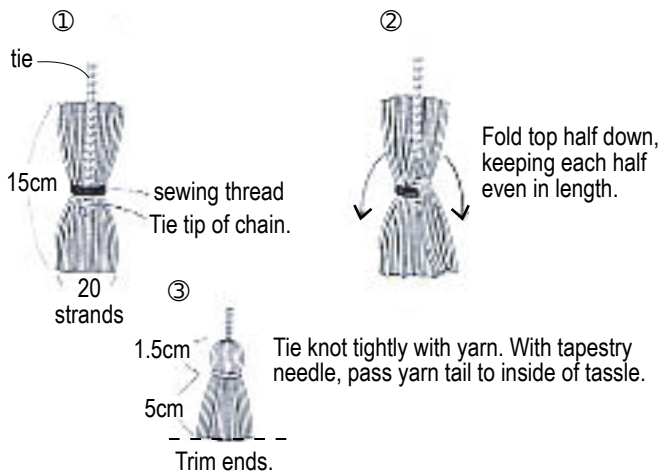
9cm pompom:
Wrap yarn 180 times around a piece of cardboard 1cm larger in diameter than desired size of pompom.



Adult hat (7.0mm hook)



Instructions for making tassels



How to bind off top

