

# 26-YG401-B Baby Vest



## Suggested yarn:

- Pierrot Yarns Golden Cocoon [100% silk; 908 yds/830m per 3.53 oz./100g hank]; 1 hank [70g] - *discontinued; please choose appropriate substitute*

## Tools/Notions:

- 2.7mm (approx. US 2) and 3.0mm (US 2½) knitting needles or size necessary to achieve gauge
- 2.3mm (approx. US B) crochet hook or size necessary to achieve gauge

## Finished measurements:

- Please refer to schematics.

## Gauge (10cm/4" square):

- stockinette stitch: 26 sts and 31 rows
- k1p1 ribbing: 42 sts and 35 rows

*Gauge may vary according to individual knitting style. Change needle size if necessary to achieve gauge. Alternatively, rework pattern with your own gauge measurements.*

## Knitting Tips

※Entire garment worked with 2 strands held together.

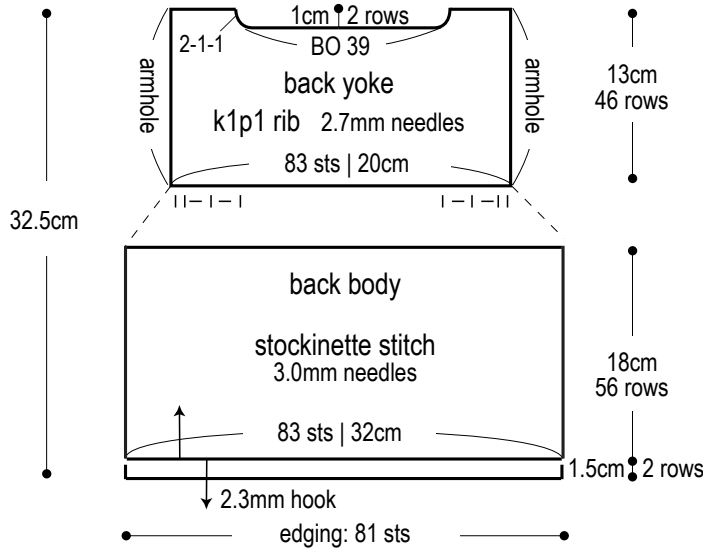
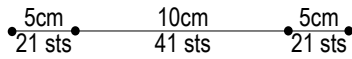
**Back body:** Cast on 83 stitches with long-tail cast-on method and work in stockinette stitch. Continue in k1p1 ribbing according to schematic.

**Front body:** Cast on 69 stitches with long-tail cast-on method for both left and right front. Work front pieces the same as back. Seam shoulders with slip stitch. Seam sides with mattress stitch. Work edging around entire edge of body and at cuffs. Crochet cords (two inner and two outer) and attach to vest.

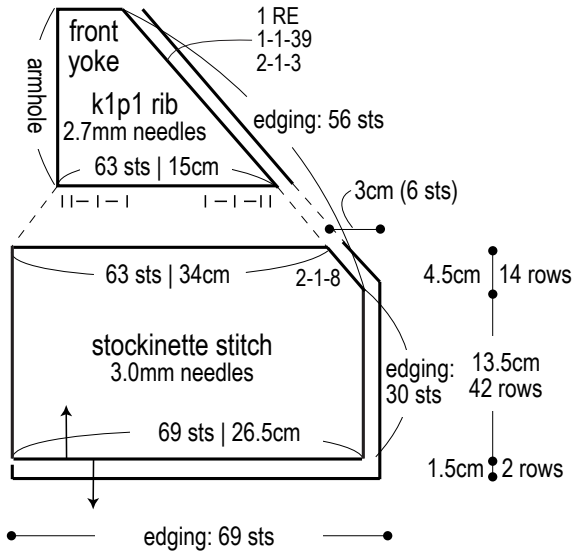
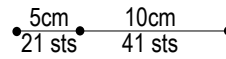
## Abbreviations:

BO = bind off  
ch = chain  
CO = cast on  
RE = row(s) even  
sc = single crochet (US)  
### = rows-stitches-times

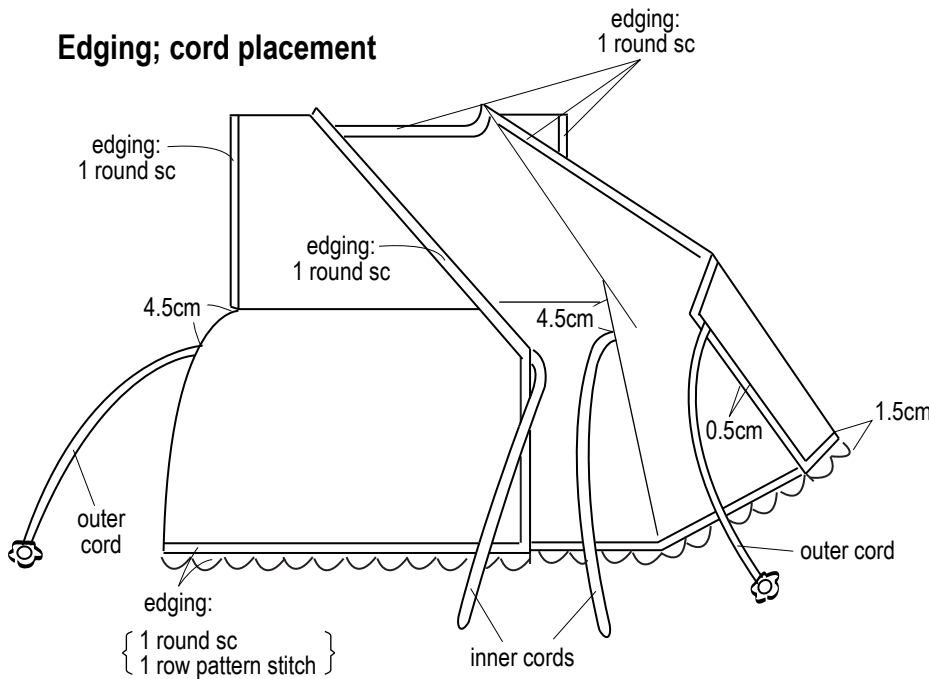
**Back**



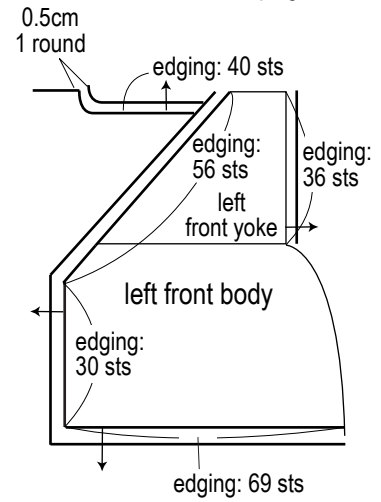
**Front**



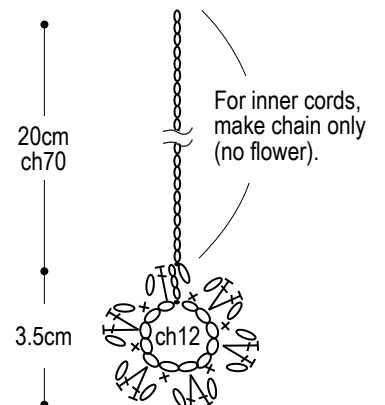
**Edging; cord placement**



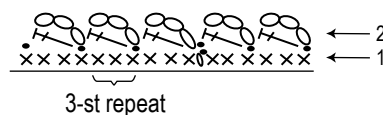
※Reverse shaping for left front.



**Cord (make 2 outer, 2 inner)**  
2.3mm hook, use 2 strands



**Edging (2.3mm hook)**



※Work row 2 only along hem. Work round 1 along other edges.