

211w-06 Yuttari Vest



Suggested yarn:

- Pierrot Yarns Soft Merino Bulky [100% merino wool; 44 yds/40m per 1.41 oz./40g skein]; color #2 light beige, 14 skeins [550g]
- Pierrot Yarns Orange [100% merino wool; 175 yds/160m per 1.76 oz./50g skein]; color #05 green/blue/brown, 1 skein [15g]

Tools/Notions:

- 6.0 (US 10) and 6.6mm (approx. US 10½) straight knitting needles or sizes necessary to achieve gauge
- 6.0 (US 10) double-pointed knitting needles or size necessary to achieve gauge
- 3.0mm (approx. US C or D) crochet hook or size necessary to achieve gauge
- cable needle
- 4 buttons (25mm/0.98")

Finished measurements:

- bust 94cm/37.01"
- cross back width 37cm/14.57"
- length 65cm/25.59"

Gauge (10cm/4" square):

- moss stitch, pattern stitch A: 14.5 sts and 20 rows
- pattern stitch B: 18 sts and 20 rows

Gauge may vary according to individual knitting style. Change needle size if necessary to achieve gauge. Alternatively, rework pattern with your own gauge measurements.

Knitting Tips

※Other than the edging on the pockets, the garment is worked in Soft Merino Bulky.

Back and front body: Cast on with long-tail cast-on method and work in k1p1 ribbing followed by moss stitch. For front, work front band and collar in pattern stitch A at the same time you are working the front body. Work buttonholes in right front.

Pocket: Cast on with long-tail cast-on method and work in pattern stitch B. Crochet edging around the curved edge (where decreases were made). Attach to body where indicated.

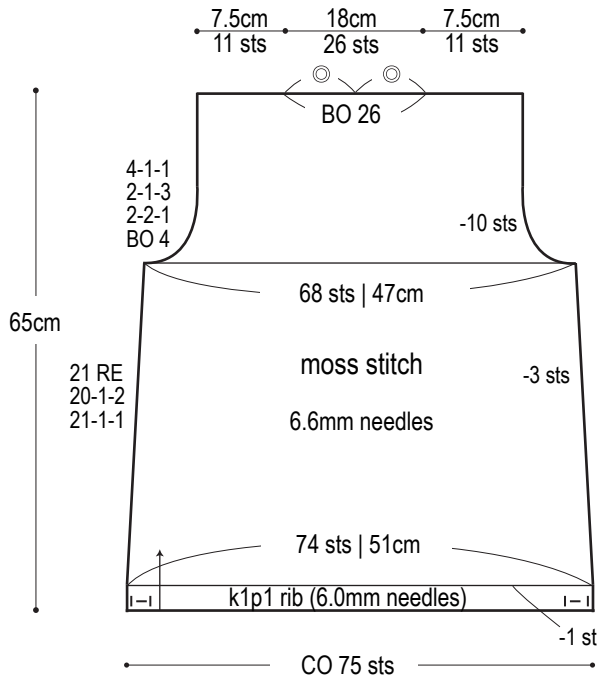
Finishing: Seam sides with mattress stitch. Seam shoulders with slip stitch seam. With right sides facing, seam collar with slip stitch. Seam to back neckline with rows-to-stitches mattress stitch. Work k1p1 ribbing in the round around armholes. Bind off in pattern. Attach buttons.

Abbreviations:

BO = bind off
CO = cast on
hdc = half double crochet (US)
inc = increase
OH = on hold (i.e., place on stitch holder)
PU = pick up
sl st = slip stitch
RE = row(s) even
WS = wrong side
YO = yarn over
= rows-stitches-times

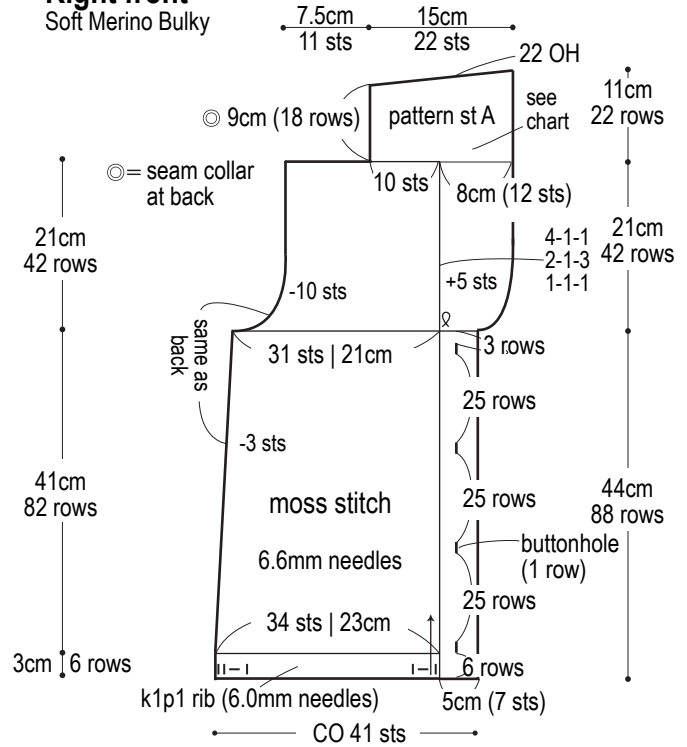
Back

Soft Merino Bulky

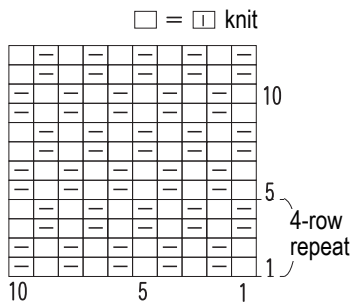


Right front

Soft Merino Bulky

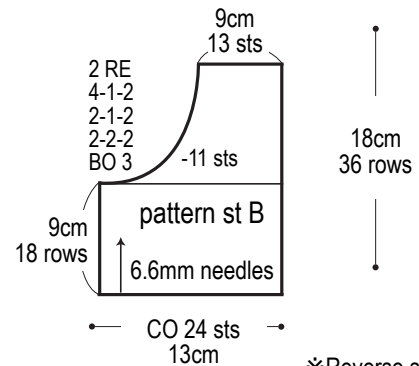


Moss stitch (6.6mm needles)



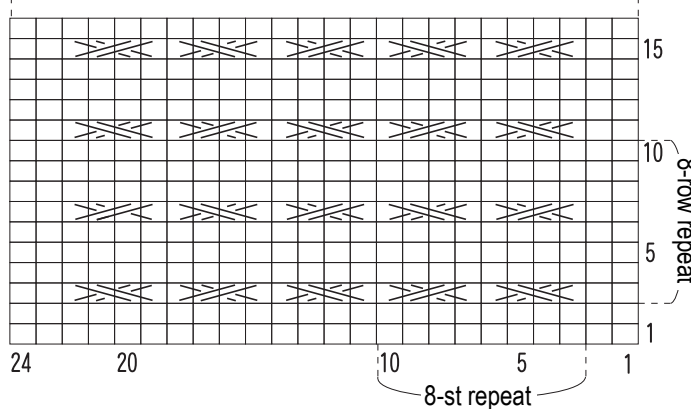
Pocket (make 2)

Soft Merino Bulky



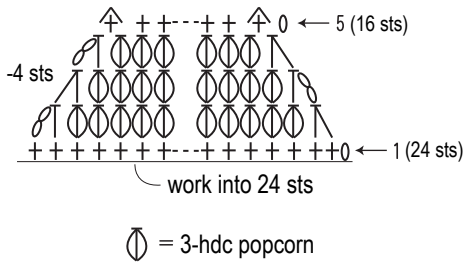
*Reverse shaping for left pocket, but do not change the pattern stitch.

Pattern stitch B (6.6mm needles)

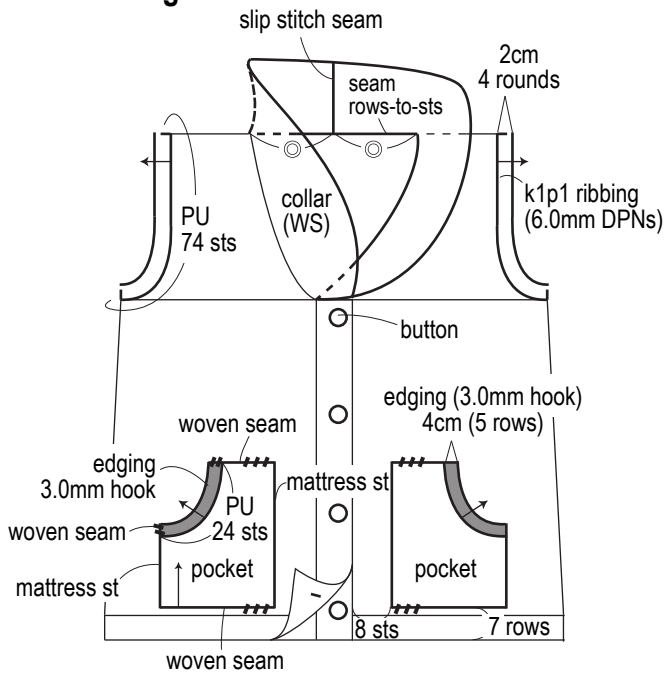


Pocket edging

Orange, 3.0mm hook



Finishing



■ = Orange

※Other than pocket edging, vest is work in Soft Merino Bulky.

Right front band & collar (6.6mm needles)

