

29-210-37 Headband



Suggested yarn:

- Pierrot Yarns Fine Merino [100% extra fine merino; 103 yds/94m per 1.06 oz./30g skein]; color #216 apricot, 1 skein [10g]
- Pierrot Yarns Otogibanashi [47% acrylic, 44% wool, 9% nylon; 22 yds/20m per 1.76 oz./50g skein]; color #110 pale rainbow, 1 skein [8g]

Tools/Notions:

- 2.5mm (approx. US B or C) and 8.0mm (US L) crochet hooks or sizes necessary to achieve gauge
- 1 elastic hair band
- 1 decorative button (30mm/1.18")
- darning needle

Finished measurements:

- Refer to schematics.

Gauge (10cm/4" square):

- double crochet (US): 21 sts and 11.5 rows

Gauge may vary according to individual crochet style. Change hook size if necessary to achieve gauge. Alternatively, rework pattern with your own gauge measurements.

Crochet Tips

Headband: ch90 and crochet according to chart. Join yarn where shown to start edging; work 1 round of sc edging. Wrap yarn around center of a circular hair elastic as shown, then whipstitch each end of headband to elastic.

Flower motif: Create magic ring, and crochet according to chart. Sew decorative button to headband on top of flower.

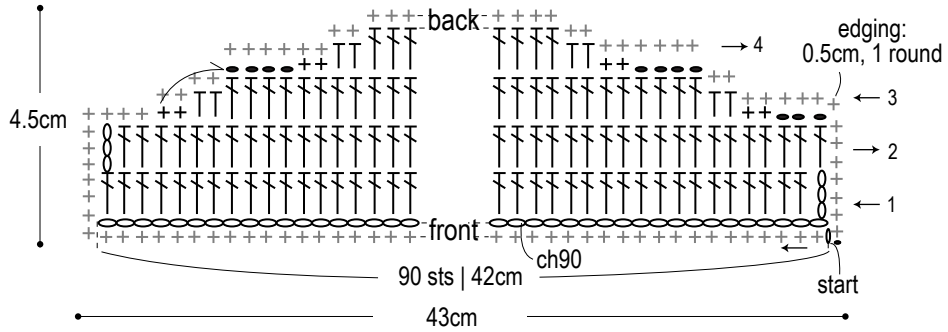
Abbreviations:

ch = chain

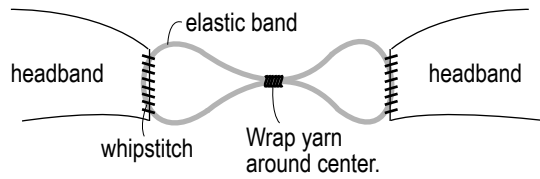
m = magic ring

sc = single crochet (US)

Headband instructions (2.5mm hook, Fine Merino #216)

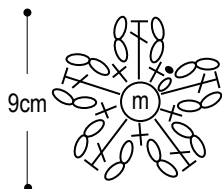


How to seam headband to elastic band

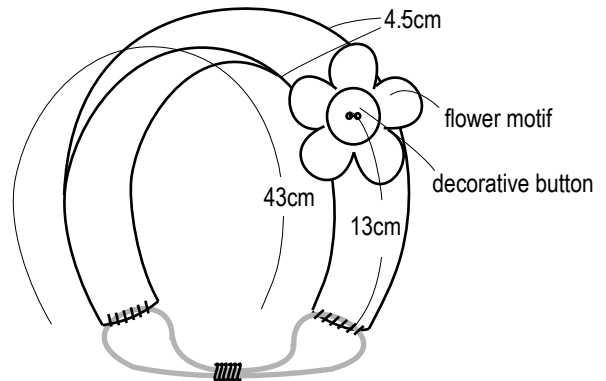


Flower motif

8.0mm hook, Otogibanashi #110



Finished item



※Sew flower motif to headband by sewing decorative button to headband.