

# 25-26-9 Cap-sleeve Vest



## Suggested yarn:

- Pierrot Yarns Nep Tweed Old [85% acrylic, 10% wool, 5% polyester; 55 yds/50m per 1.41 oz./40g skein]; color #1 white, 11 skeins [420g]

## Tools/Notions:

- 4.5mm (US 7) and 5.1mm (approx. US 8) straight knitting needles or sizes necessary to achieve gauge
- 5.1mm (approx. US 8) double-pointed knitting needles or size necessary to achieve gauge
- 2 buttons (15mm/0.59")

## Finished measurements:

- bust 92cm/36.22"
- cross back width 52cm/20.47"
- length 56cm/22.05"
- sleeve length 26cm/10.24"

## Gauge (10cm/4" square):

- pattern stitch: 12 sts and 20 rows

*Gauge may vary according to individual knitting style. Change needle size if necessary to achieve gauge. Alternatively, rework pattern with your own gauge measurements.*

## Knitting Tips

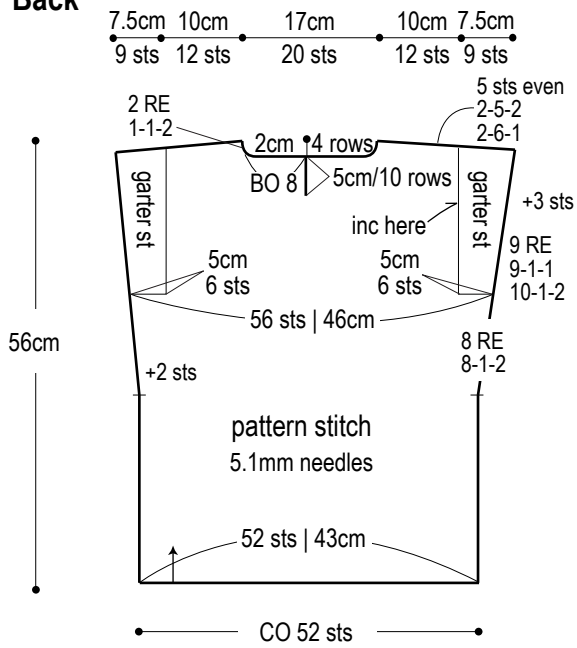
**Body and sleeves:** Cast on with long-tail cast-on method and work in pattern stitch from the hem upward. Shape waist with fully fashioned increases (lifted increases worked one stitch in from the edge). Change to garter stitch at sleeve. Referring to schematics, work increases where pattern stitch meets garter stitch. Bind off stitches at neckline, and shape shoulders with short rows. For back body, work right and left sides separately from the neck slit upward.

**Finishing:** Seam shoulders with three-needle bind-off. Seam sides and sleeve undersides with mattress stitch. Pick up stitches around front and back neckline and work collar in garter stitch. Bind off in pattern from the wrong side. Pick up stitches along neck slit and work 2 rows in stockinette stitch. Bind off in pattern. Sew buttonholes, reinforcing with sewing thread.

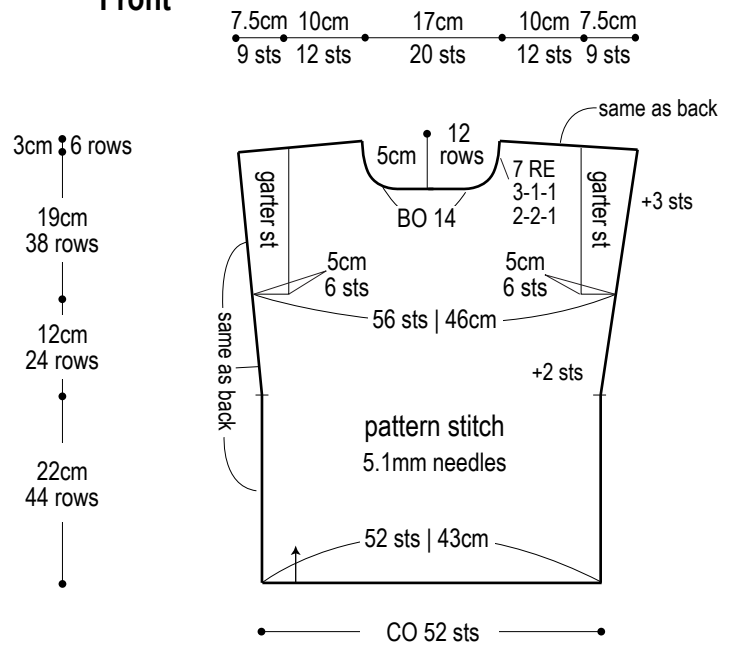
## Abbreviations:

BO = bind off  
CO = cast on  
inc - increase  
PU = pick up  
RE = row(s) even  
### = rows-stitches-times

## Back

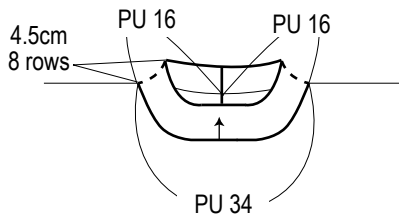


## Front



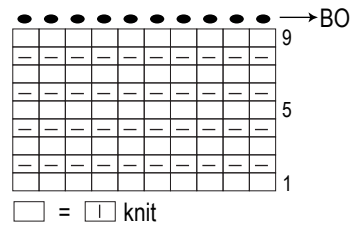
## Collar

garter stitch (5.1mm needles)



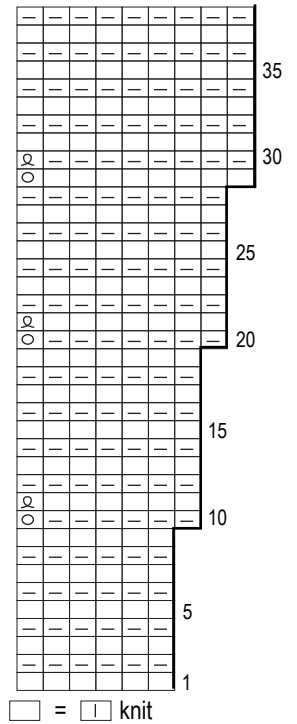
## Collar instructions

garter stitch (5.1mm needles)



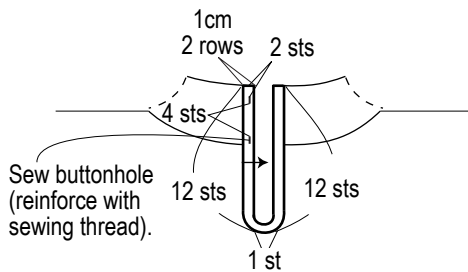
## Collar increases

garter stitch (5.1mm needles)



## Back collar finishing

stockinette stitch (4.5mm needles)



## Pattern stitch

(5.1mm needles)

