

Fiore Camisole Dress



Suggested yarn:

- Keito-Zakka Stores Fiore [100% cotton; 148 yds/135m per 1.41 oz./40g skein]; color #08 green tea/cosmos pink/iris blue mix, 4 skeins [135g]

Tools/Notions:

- 3.0mm (US 2½), 3.3mm (approx. US 3), and 3.6mm (approx. US 4 or 5) knitting needles or sizes necessary to achieve gauge
- 2.3mm (approx. US B) crochet hook or size necessary to achieve gauge
- 2 buttons (25mm/0.98")

Finished measurements:

- chest 64cm/25.20"
- cross back width 23cm/9.06"
- length 43cm/16.93"

Gauge (10cm/4" square):

- stockinette stitch (with 3.3mm needles): 26 sts and 38 rows

Gauge may vary according to individual knitting style. Change needle size if necessary to achieve gauge. Alternatively, rework pattern with your own gauge measurements.

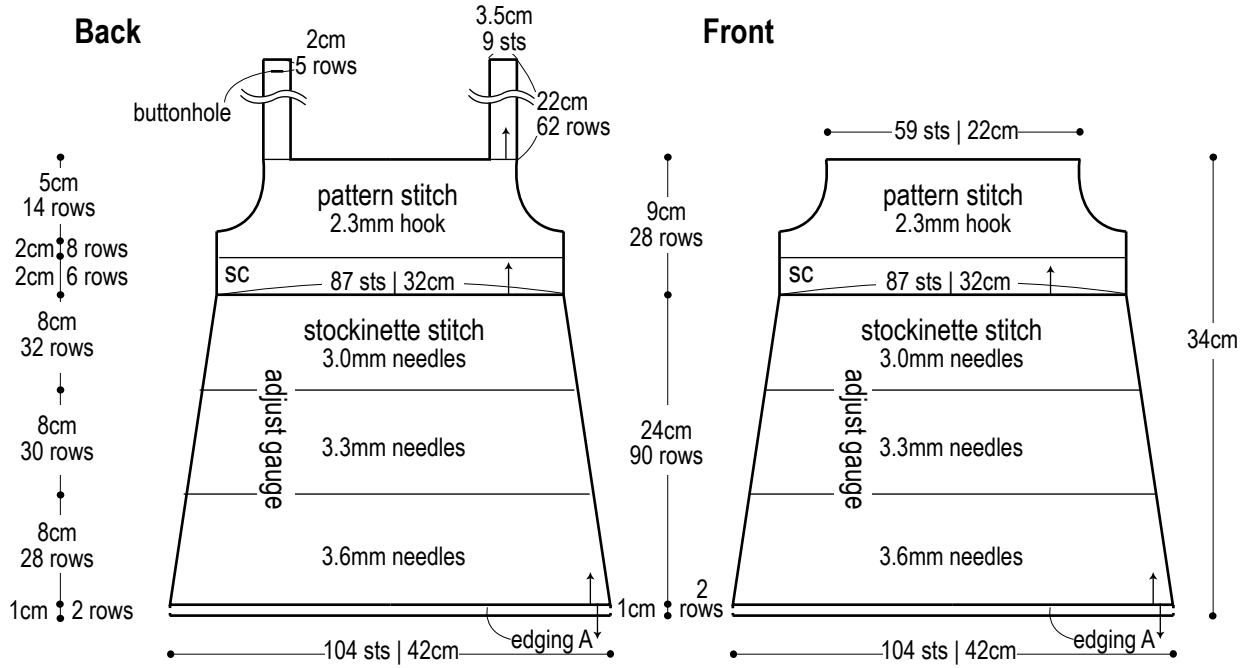
Knitting Tips

Body: Cast on with long-tail cast-on method and work in stockinette stitch. Continue in single crochet (US), then work in pattern stitch (alternating single crochet and chain stitches). For back body only, continue to shoulder straps.

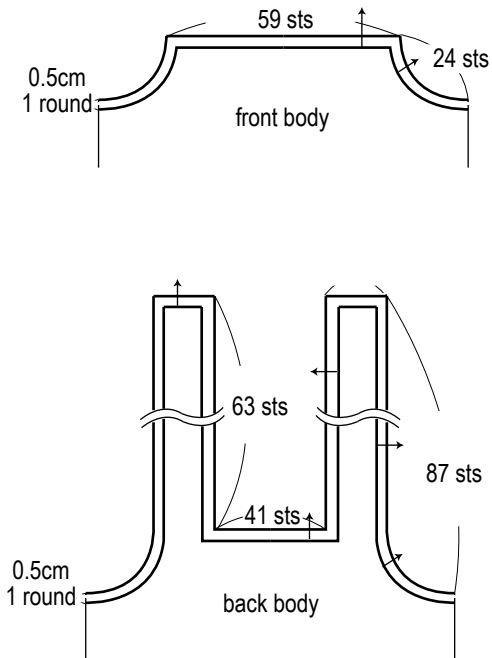
Finishing: Seam sides with mattress stitch. Work edging at hem. Work edging around armholes, necklines, and edges of shoulder straps.

Abbreviations:

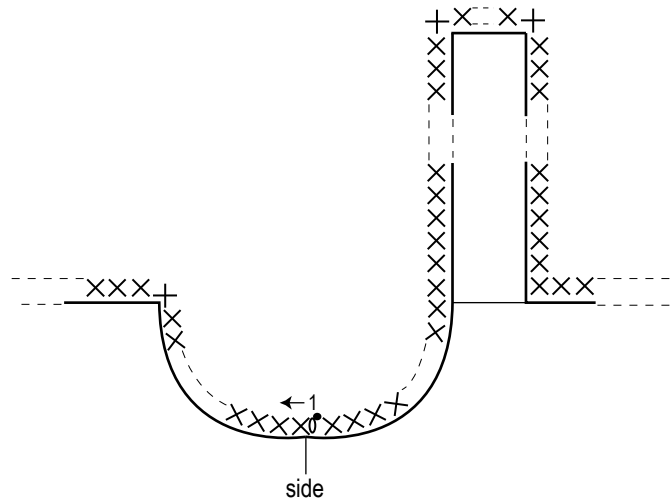
sc = single crochet (US)



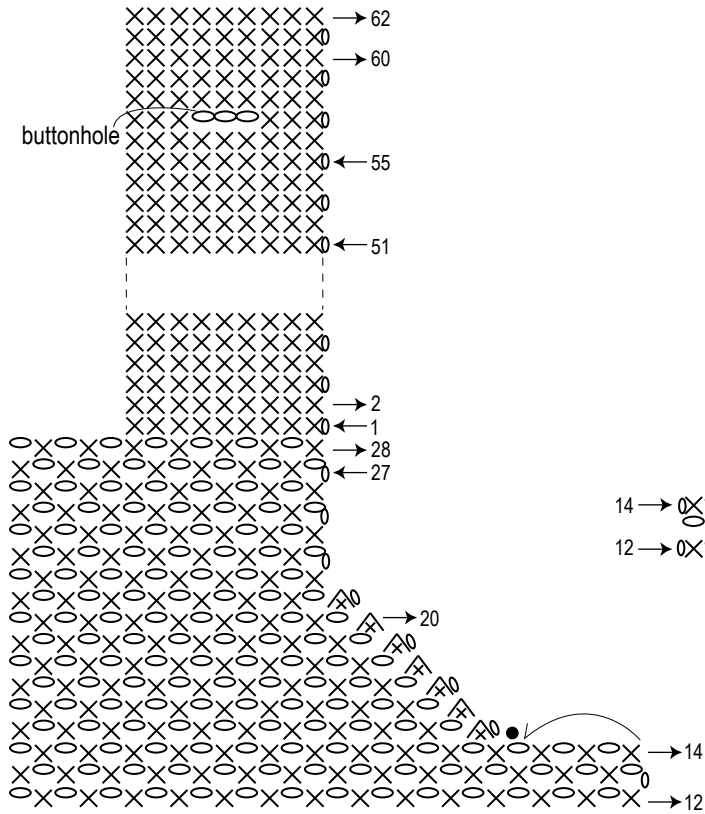
Edging B (armscye, neckline, straps)
2.3mm hook



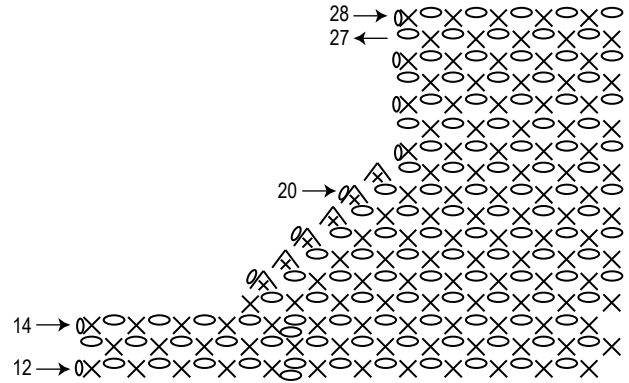
Edging B instructions
2.3mm hook



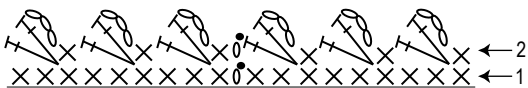
Back decreases & shoulder straps (2.3mm hook)



Front decreases (2.3mm hook)



Edging A: hem (2.3mm hook)



Edging B: collar, armscye, straps (2.3mm hook)

