

23-24-4 Tortoiseshell Vest



Suggested yarn:

- Pierrot Yarns Nouvelle Silk Fingering [30% silk, 70% lamb's wool; 197 yds/180m per 1.41 oz./40g skein]; color #552, 8 skeins [310g] - *discontinued; please choose appropriate substitute*

Tools/Notions:

- 3.6mm (approx. US 4 or 5) and 3.9mm (approx. US 6) straight knitting needles or sizes necessary to achieve gauge
- 3.0mm (US 2½) and 3.3mm (approx. US 3) circular knitting needles or sizes necessary to achieve gauge
- 2.5mm (approx. US B or C) crochet hook or size necessary to achieve gauge

Finished measurements:

- bust 92cm/36.22"
- cross back width 34cm/13.39"
- length 57cm/22.44"

Gauge (10cm/4" square):

- pattern stitch A: 25 sts and 31 rows
- pattern stitch B: 22 sts and 36 rows

Gauge may vary according to individual knitting style. Change needle size if necessary to achieve gauge. Alternatively, rework pattern with your own gauge measurements.

Knitting Tips

※Entire garment worked with yarn held doubled.

Body: Cast on with long-tail cast-on method and work hem section in pattern stitch B. Continue body in pattern stitch A according to schematic. Decrease to shape armscyes, and at the same time, work 5 stitches at each edge in k1p1 ribbing. Join shoulders with three-needle bind-off. Pick up stitches around neckline and work collar in pattern stitch B, changing needle size when indicated. Bind off from the right side using crochet hook.

Finishing: Seam sides with mattress stitch.

Abbreviations:

BO = bind off

CO = cast on

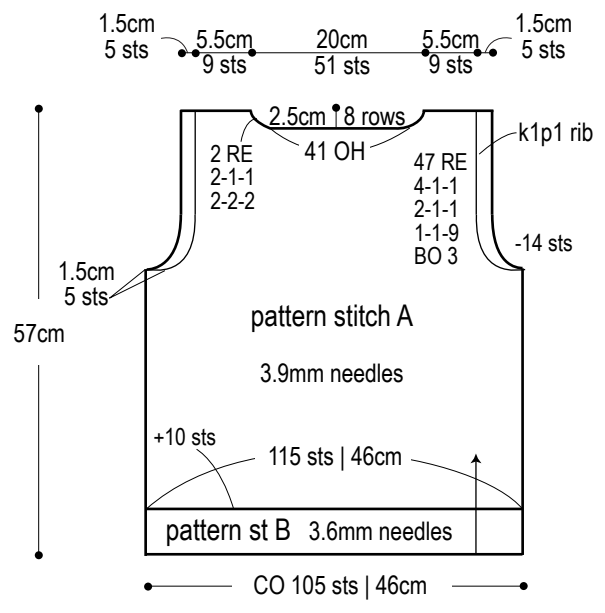
OH = on hold (i.e., place stitches on stitch holder)

PU = pick up

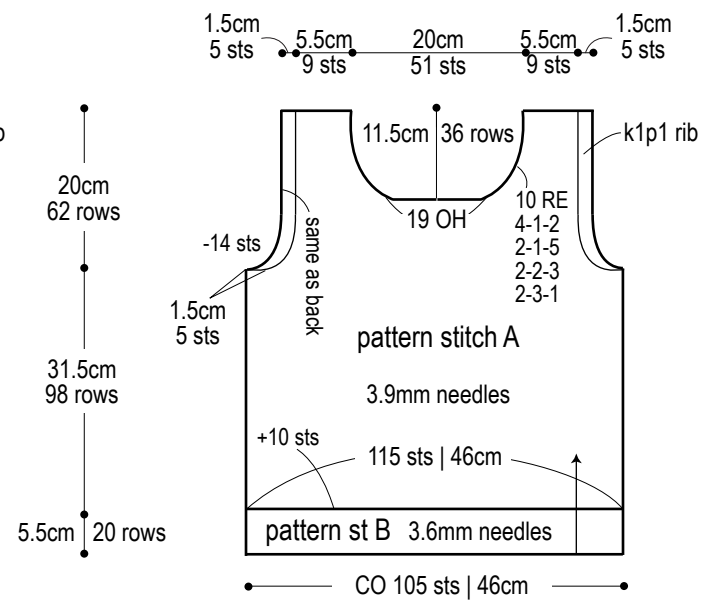
RE = row(s) even

= rows-stitches-times

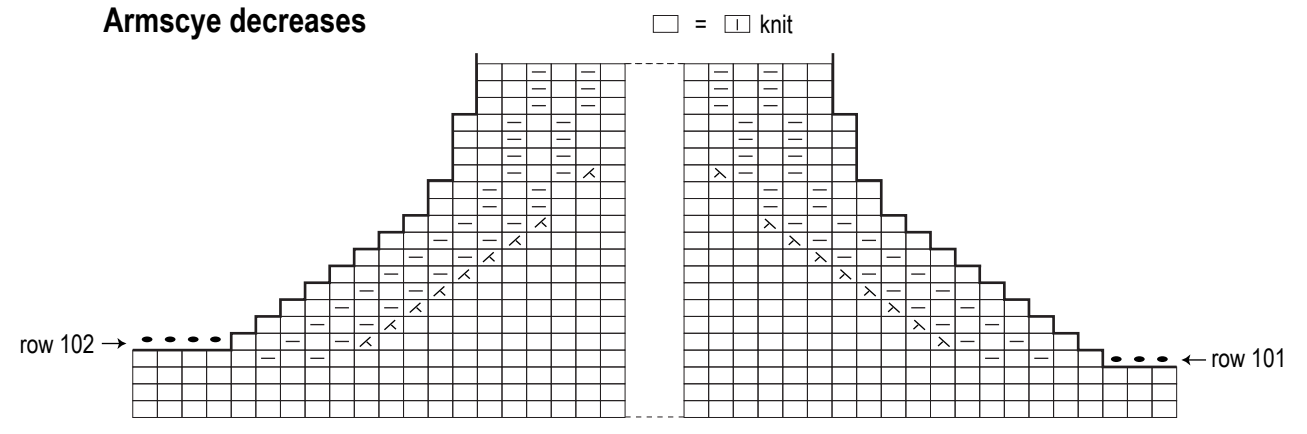
Back



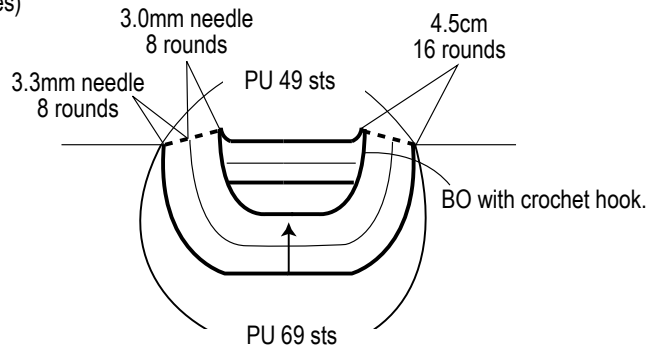
Front



Armscye decreases



Collar (circular needles)



Pattern stitch

□ = □ knit

