

211-2h Celeste Hooded Vest



Suggested yarn:

- Pierrot Yarns Celeste [45% cotton, 40% wool, 15% nylon; 208 yds/190m per 1.76 oz./50g skein]; color #09 off-white/red/blue, 4 skeins [180g]

Tools/Notions:

- 3.6mm (approx. US 4 or 5) knitting needles or size necessary to achieve gauge
- 5 buttons (20mm/0.79")

Finished measurements:

- chest 84.5cm/33.27"
- cross back width 30cm/11.81"
- length 51.5cm/20.28"

Gauge (10cm/4" square):

- pattern stitch A: 22 sts and 37 rows
- pattern stitch B: 22 sts and 32 rows

Gauge may vary according to individual knitting style. Change needle size if necessary to achieve gauge. Alternatively, rework pattern with your own gauge measurements.

Knitting Tips

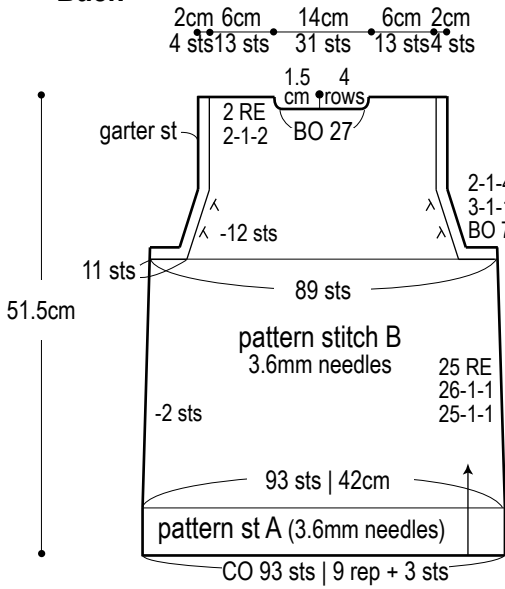
Front and back: Cast on with long-tail cast-on method and worked in pattern stitch A, followed by pattern stitch B. Work 4 stitches at the edge of armhole in garter stitch. Work fully fashioned decreases (4 stitches in from the edge) at armhole. Seam shoulders with slip stitch. Seam sides with mattress stitch.

Hood: Pick up stitches along front and back neckline and work in pattern stitch B. Pick up stitches from front edge and hood; work button bands in garter stitch. Work buttonholes in right front band. Seam top of hood with three-needle bind-off.

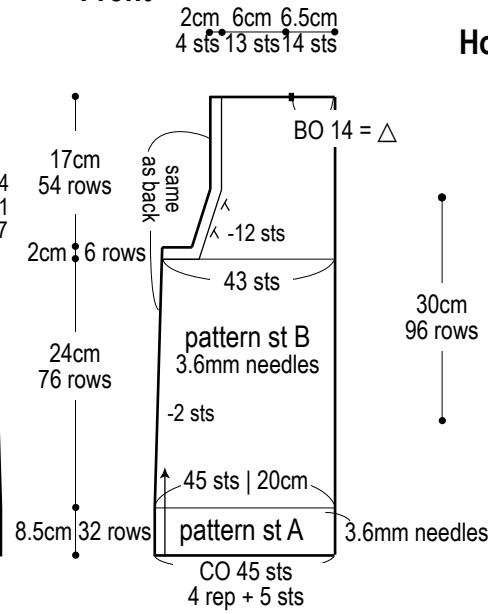
Abbreviations:

BO = bind off
CO = cast on
OH = on hold (place on stitch holder)
PU = pick up
rep = pattern repeat(s)
RE = row(s) even
= rows-stitches-times

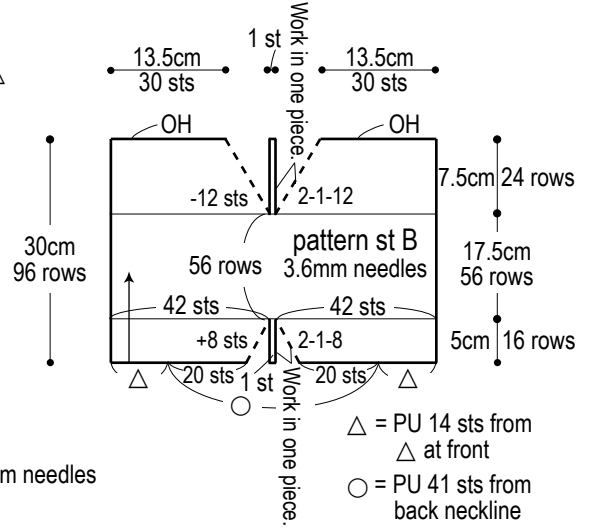
Back



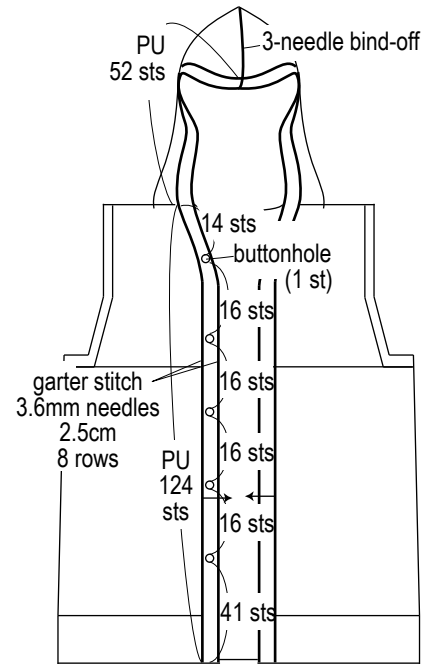
Front



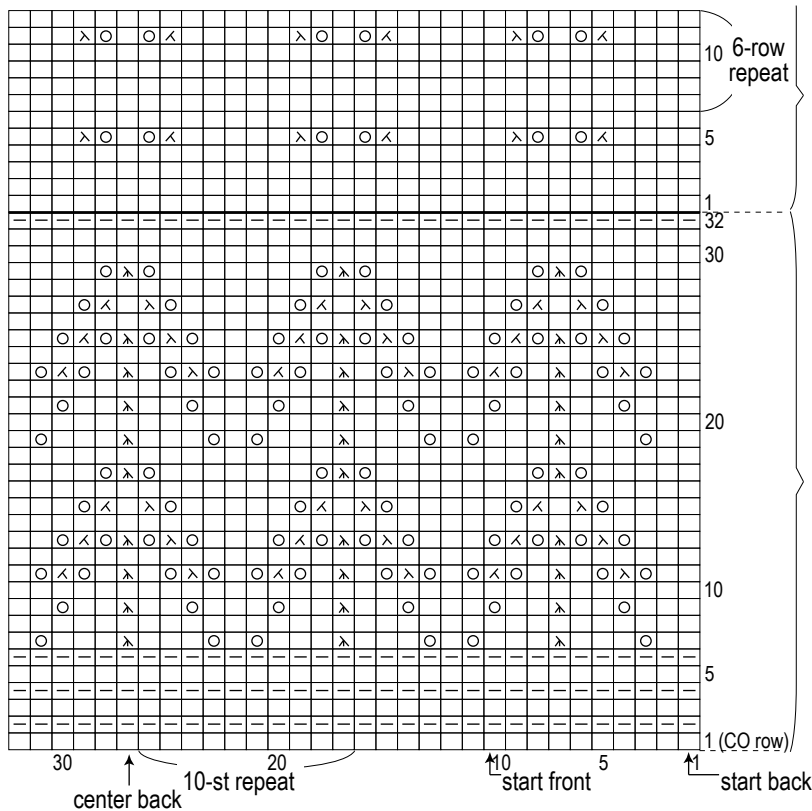
Hood



Front band/Hood edging



Pattern stitch (3.6mm needles)



Buttonholes (3.6mm needles) □ = □ knit

