

# 211-1h Cotton Neat Kid's Vest



## Suggested yarn:

- Pierrot Yarns Cotton Neat [100% cotton; 58 yds/53m per 1.41 oz./40g skein];
  - color #621 greenish brown, 5 skeins [170g]
  - color #622 drab green, 2 skeins [50g]

## Tools/Notions:

- 4.5mm (US 7) and 5.1mm (approx. US 8) straight knitting needles or sizes necessary to achieve gauge
- 4.5mm (US 7) double-pointed knitting needles or size necessary to achieve gauge
- 4 buttons (30mm/1.18")

## Finished measurements:

- chest 81cm/31.89"
- cross back width 33cm/12.99"
- length 41cm/16.14"

## Gauge (10cm/4" square):

- stockinette stitch: 17 sts and 20 rows

*Gauge may vary according to individual knitting style. Change needle size if necessary to achieve gauge. Alternatively, rework pattern with your own gauge measurements.*

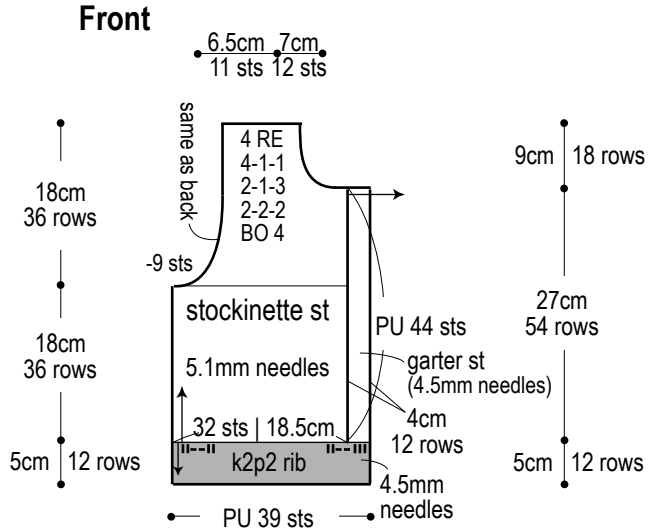
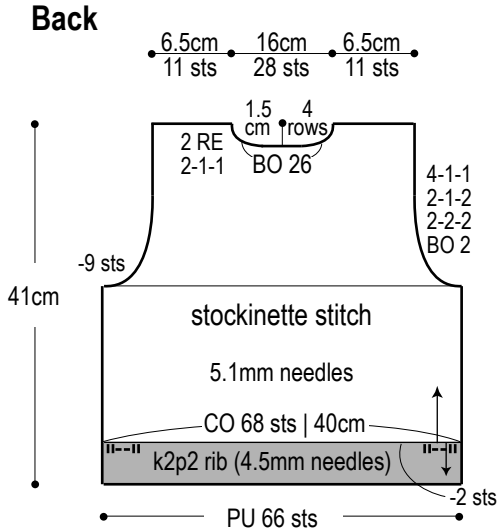
## Knitting Tips

**Body (front and back):** Cast on with crochet provisional cast-on method and work in stockinette stitch. Work front bands in garter stitch. Bind off in pattern. Work buttonholes in left front. Pick up live stitches from hem and work k2p2 ribbing, then bind off with 2x2 tubular bind-off method. (Binding off in pattern will also work.)

**Finishing:** Seam sides with mattress stitch. Seam shoulders with slip stitch. Pick up stitches around neckline and cuffs; work garter stitch edging. Work cuffs in the round. Bind off in pattern. Fasten buttons to right front.

## Abbreviations:

BO = bind off  
CO = cast on  
PU = pick up  
RE = row(s) even  
#-#-# = rows-stitches-times

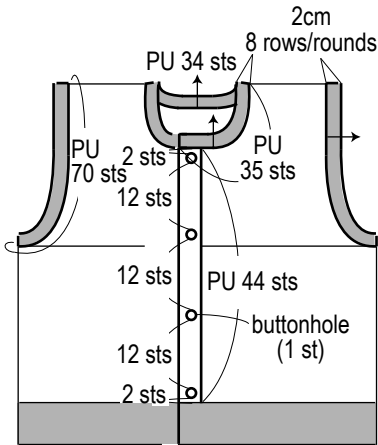


■ = #622 drab green

Use #621 greenish brown elsewhere.

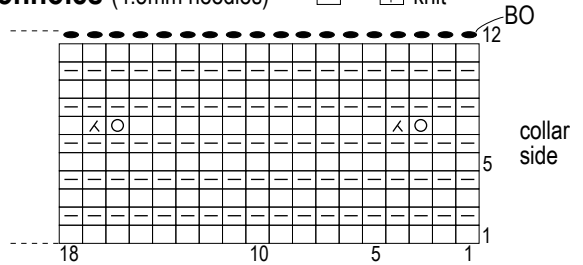
## Finishing

garter stitch  
4.5mm double-pointed needles



## Buttonholes (4.5mm needles)

□ = □ knit



※ In order to be suitable for either gender, the buttonholes are on the left front. You may wish to reverse the buttons and buttonholes.