

211F-22 Pen Case



Suggested yarn:

- Pierrot Yarns Foire DK [100% wool; 90 yds/82m per 1.41 oz./40g skein]; color #24 greige, 2 skeins [55g]
- Pierrot Yarns Amijin Cotton 100 [100% organic cotton; 137 yds/125m per 1.06 oz./30g skein]; color #1 off-white, 1 skein [20g]

Tools/Notions:

- 3.6mm (approx. US 4 or 5) knitting needles or size necessary to achieve gauge
- 2.3mm (approx. US B) and 2.5mm (approx. US C) crochet hooks or sizes necessary to achieve gauge

Finished measurements:

- refer to schematics

Gauge (10cm/4" square):

- stockinette stitch: 21 sts and 30 rows

Gauge may vary according to individual knitting style. Change needle size if necessary to achieve gauge. Alternatively, rework pattern with your own gauge measurements.

Knitting Tips

Body: Cast on with long-tail cast-on method and work in stockinette stitch.

Pocket, flap: Cast on with long-tail cast-on method. Work in stockinette stitch and k1p1 ribbing, then bind off in pattern.

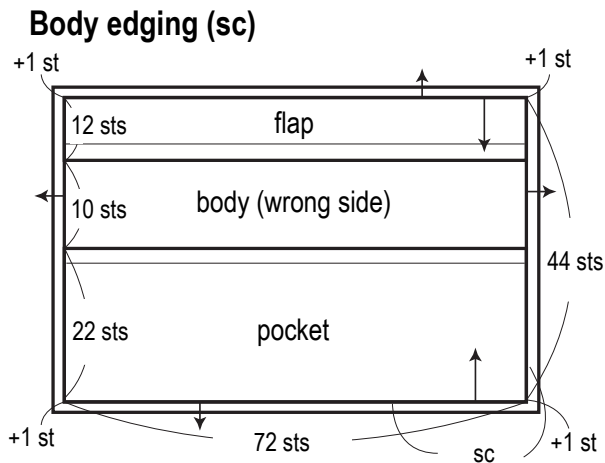
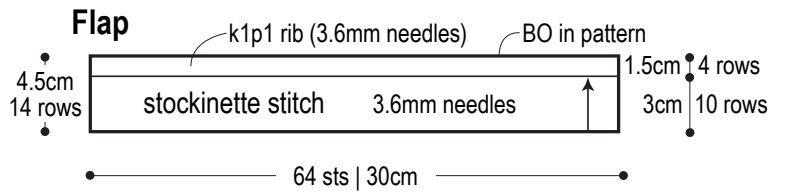
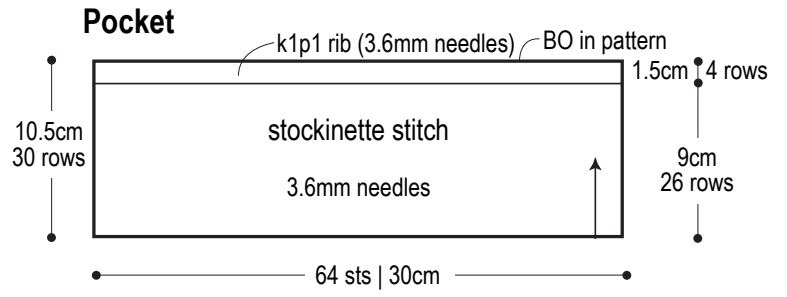
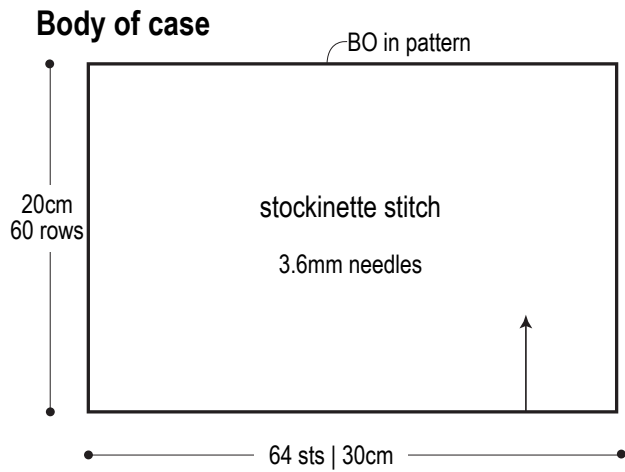
Ribbons: Work chain to create foundation row (working into bottom loops of chain); crochet according to schematics.

Finishing: Lay pocket and flap on top of body (with wrong sides facing). Seam in place by working single crochet (US) edging around entire outside edge. Referring to schematics, form pocket divisions by sewing a running stitch where indicated. Fasten ribbons to right side of body piece.

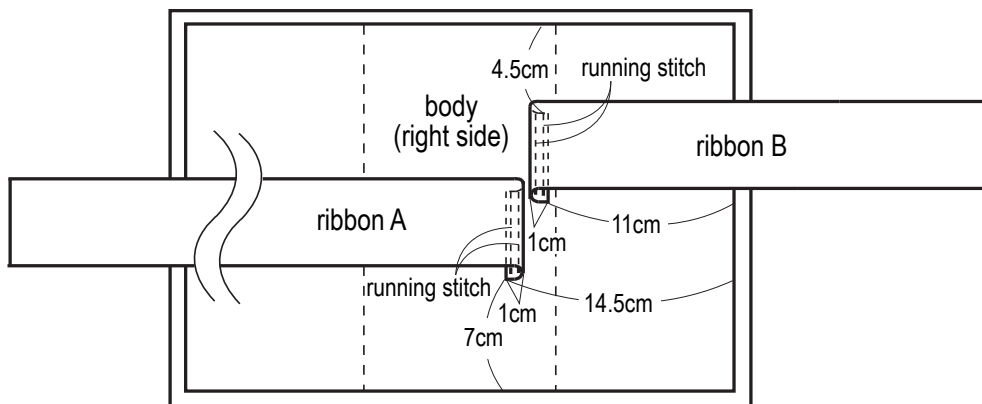
Abbreviations:

BO = bind off

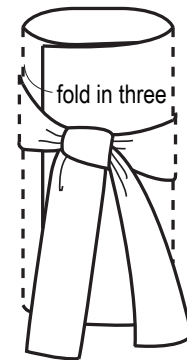
sc = single crochet (US)



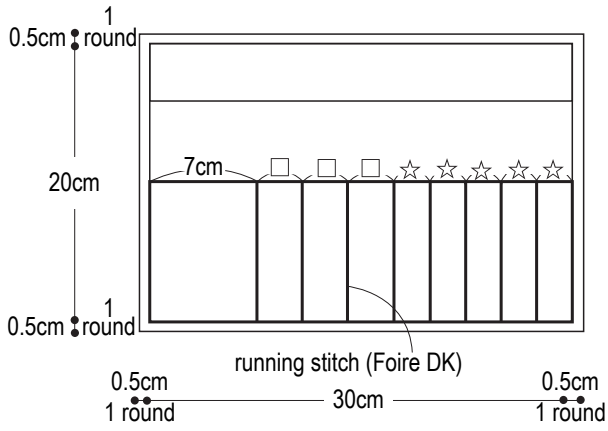
Where to attach ribbon



Finished item



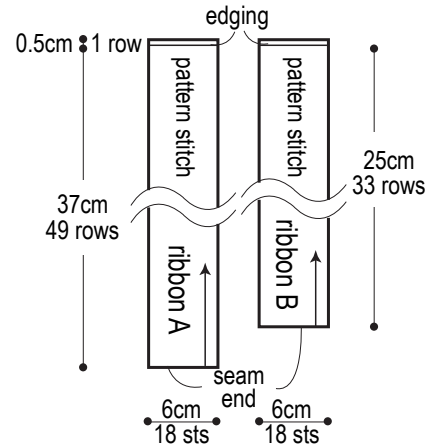
Pocket finishing



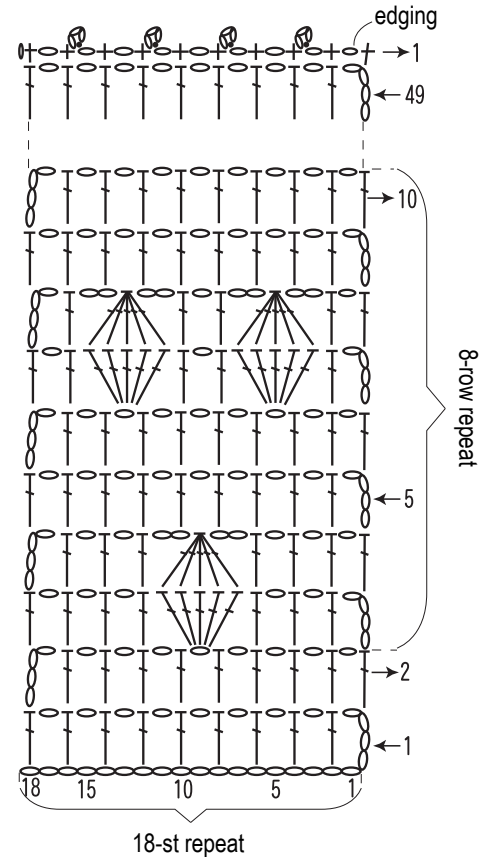
☆ = 2.5cm

□ = 3.5cm

Ribbon A, B (2.3mm hook) Amijin Cotton 100



Ribbon pattern stitch (2.3mm hook) Amijin Cotton 100



SC edging (2.5mm hook)

Foire DK

