

28-BK2 Baby Jumper-skirt & Cap



Suggested yarn:

- Pierrot Yarns UV Cut Baby [100% cotton; 93 yds/85m per 0.88 oz./25g skein];
 - color #1 white, 6 skeins [130g]
 - color #3 pale pink, 2 skeins [40g]

Tools/Notions:

- 3.0mm (US 2½) and 3.6mm (approx. US 4) straight and circular knitting needles or sizes necessary to achieve gauge
- 2.5mm (approx. US B or C) crochet hook or size necessary to achieve gauge
- cable needle

Finished measurements:

- chest 52cm/20.47"
- cross back width 29cm/11.42"
- length 35.5cm/13.98"
- head circumference 44cm/17.32"

Gauge (10cm/4" square):

- stockinette stitch: 23.5 sts and 32 rows
- pattern stitch: 28.5 sts and 32 rows

Gauge may vary according to individual knitting style. Change needle size if necessary to achieve gauge. Alternatively, rework pattern with your own gauge measurements.

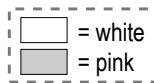
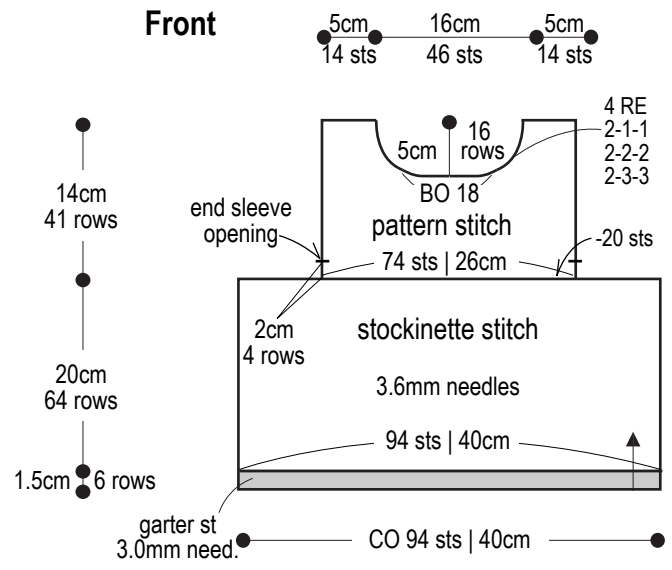
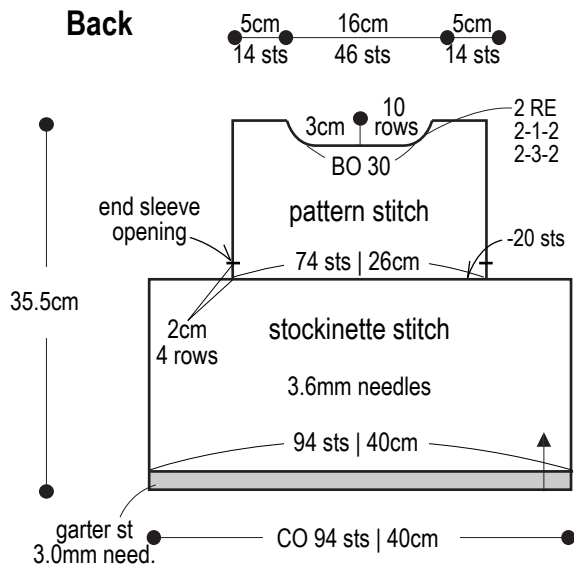
Knitting Tips

Jumper-skirt: With pale pink, cast on with long-tail cast-on method and work 6 rows of garter stitch. Change to white and knit skirt section in stockinette stitch. Decrease according to schematics, forming gathers in the skirt, then knit bodice. Seam shoulders with slip stitch seam. Seam sides with mattress stitch up until where sleeve opening should begin. With pale pink, pick up stitches around neckline and cuffs and work in garter stitch. With pale pink, embroider using lazy daisy stitch onto white skirt fabric.

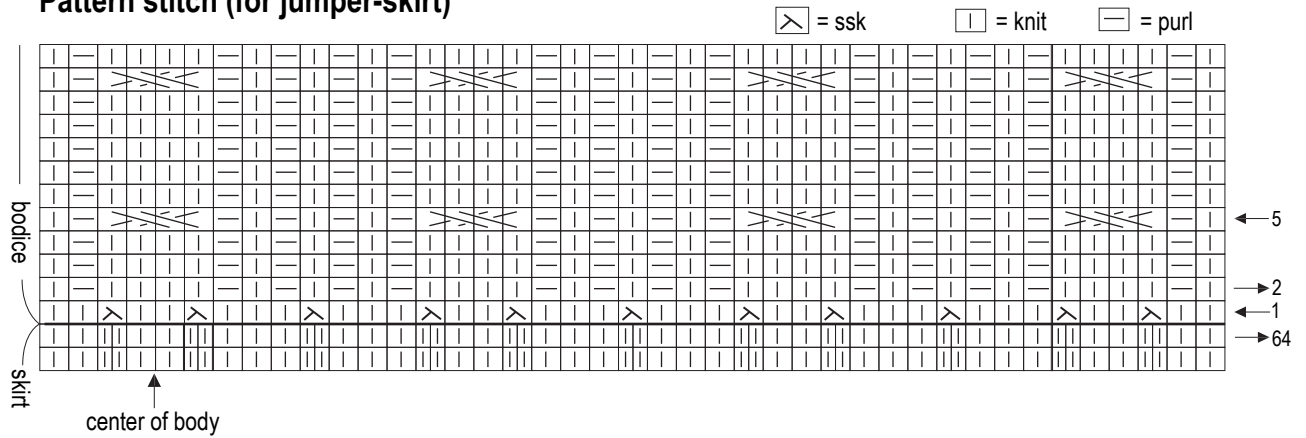
Cap: Begin as for jumper-skirt, working 6 rounds of garter stitch with pale pink. Change to white and work 18 rounds of stockinette stitch, followed by 30 rounds of pattern stitch. Work 3 decrease rounds, then thread yarn twice through 25 remaining stitches and cinch shut. Crochet cord and fasten to top of cap.

Abbreviations:

BO = bind off
CO = cast on
k2tog = knit 2 stitches together
PU = pick up
RE = row(s) even
ssk = slip, slip, knit
= rows-stitches-times

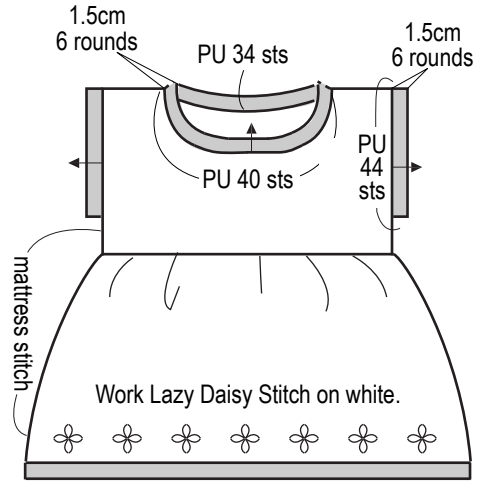


Pattern stitch (for jumper-skirt)

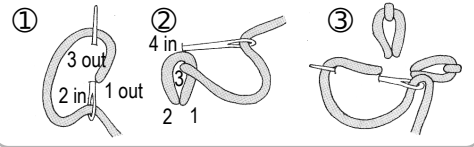


Sleeve, cuff, and hem finishing

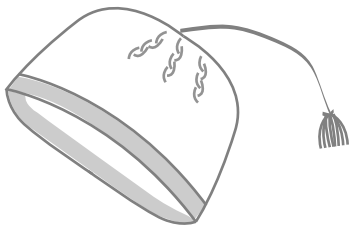
Pale pink, garter stitch
3.0mm circular needles



★ Lazy Daisy Stitch

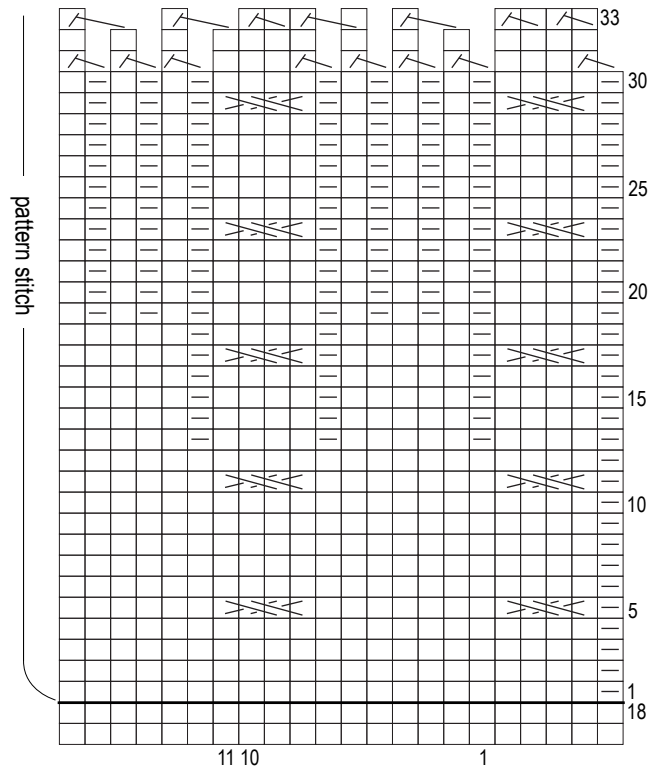


Cap

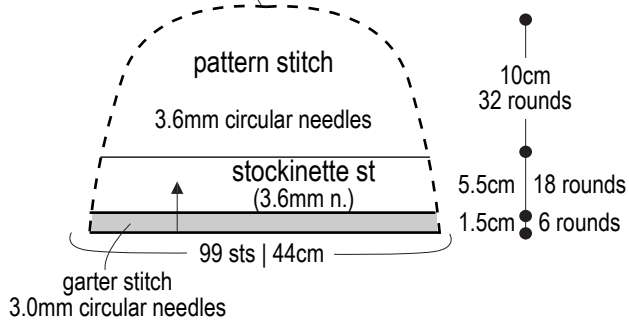


Pattern stitch (cap)

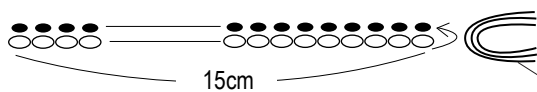
☒ = k2tog ☐ = □ = knit ▬ = purl



On last round, cinch all stitches shut.



Cord instructions (3.0mm hook)



Fold 12 lengths of yarn (each 10cm/3.94" long) in two; attach to tip of cord.