

# Seed Stitch Vest



## Suggested yarn:

- Keito-Zakka Stores Merino Warm DK [100% extra fine merino wool; 72 yds/66m per 1.06 oz./30g skein]; color #45 biscuit, 6 skeins [235g]

## Tools/Notions:

- 4.5mm (US 7) knitting needles or size necessary to achieve gauge
- 3.5mm (US E) crochet hook or size necessary to achieve gauge
- 1 button (2.2cm/0.87" diameter)

## Finished measurements:

- bust 92cm/36.22"
- cross back width 33cm/12.99"
- length 55cm/21.65"

## Gauge (10cm/4" square):

- pattern stitch: 20 sts and 28 rows

*Gauge may vary according to individual knitting style. Change needle size if necessary to achieve gauge. Alternatively, rework pattern with your own gauge measurements.*

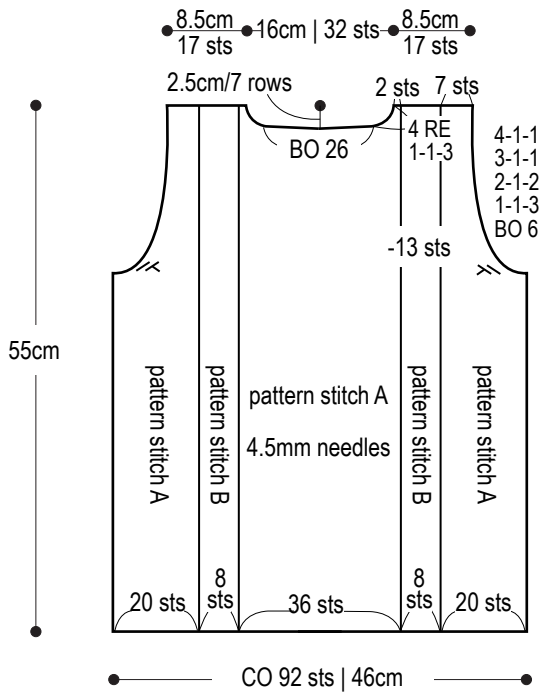
## Knitting Tips

Cast on for front body with long-tail cast-on method. Work in pattern stitches A and B according to schematics. Seam shoulders with three-needle bind-off. Seam sides with mattress stitch. Work slip stitch edging around neckline, creating button loop along the way. Fasten button.

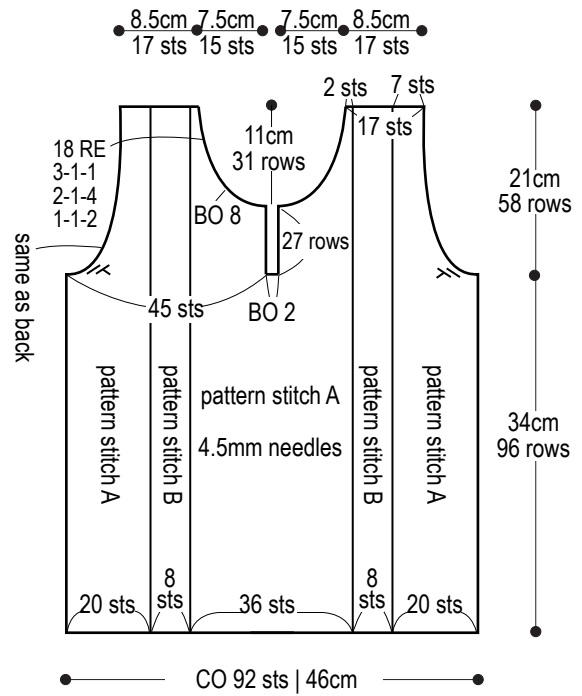
## Abbreviations:

BO = bind off  
ch = chain  
CO = cast on  
RE = row(s) even  
rep = pattern repeat(s)  
### = rows-stitches-times

## Back

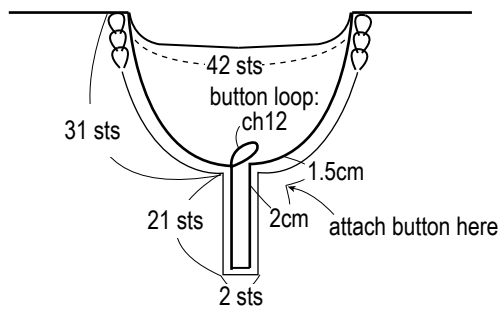


## Front



## Collar finishing

slip stitch (3.5mm hook)



# Pattern stitches

□ = □ knit

