

28-29-527K Wool Vest



Suggested yarn:

- Pierrot Yarns Junmo Namibuto2 [100% superwash wool; 79 yds/72m per 1.41 oz./40g skein]; color #29 deep beige, 4 skeins [140g]

Tools/Notions:

- 4.5mm (US 7) knitting needles or size necessary to achieve gauge
- 3.5mm (US E) crochet hook or size necessary to achieve gauge
- 3 buttons (18mm/0.71" diameter)

Finished measurements:

- chest 70cm/27.56"
- cross back width 25.5cm/10.04"
- length 38cm/14.96"

Gauge (10cm/4" square):

- pattern stitch: 18 sts and 26.5 rows

Gauge may vary according to individual knitting style. Change needle size if necessary to achieve gauge. Alternatively, rework pattern with your own gauge measurements.

Knitting Tips

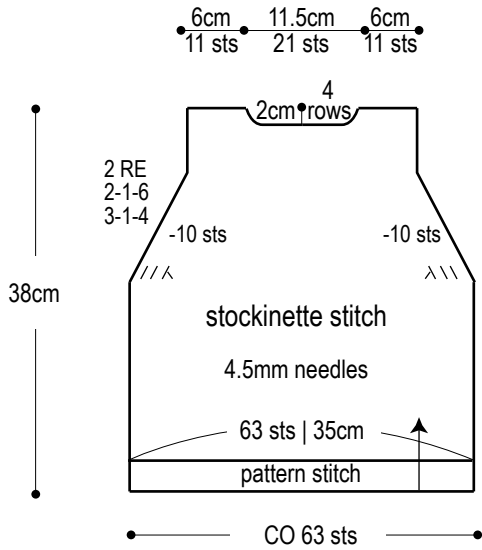
Body: Cast on with long-tail cast-on method and work in pattern stitch and stockinette stitch. Shape armscye by working fully fashioned decreases (3 stitches in from edge, k2tog or ssk). For front body, work up until split for neck; bind off one stitch at center. Work pocket in k1p1 ribbing and seed stitch; bind off in pattern.

Finishing: Seam shoulders with slip stitch. Seam sides with mattress stitch. Crochet edging around armscyees and neckline. Fasten pocket to body according to schematics.

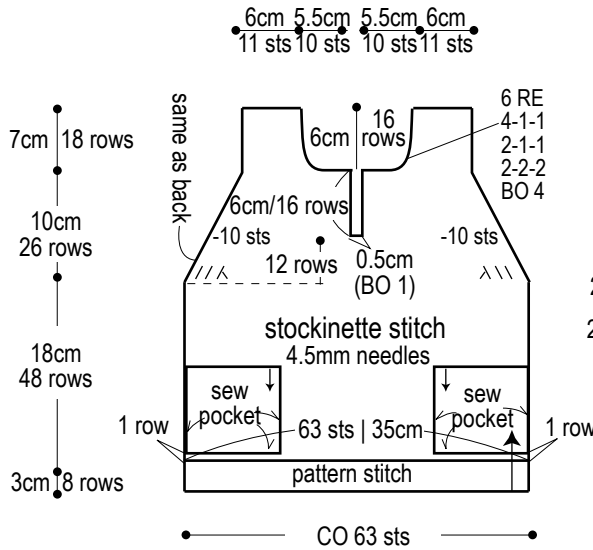
Abbreviations:

BO = bind off
ch = chain
CO = cast on
RE = row(s) even
#-#-# = rows-stitches-times

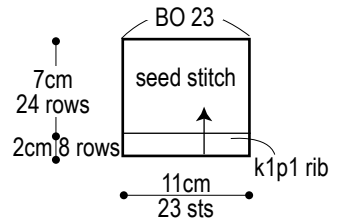
Back



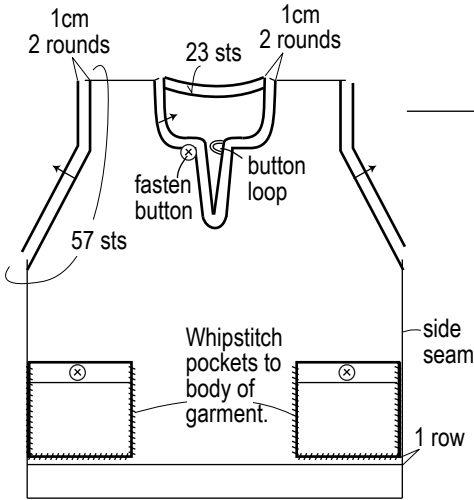
Front



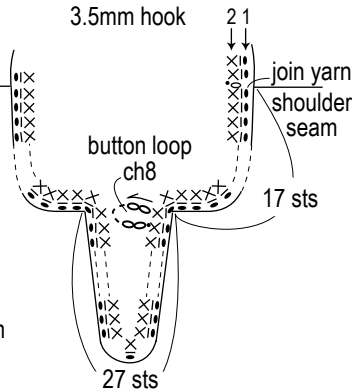
Pocket



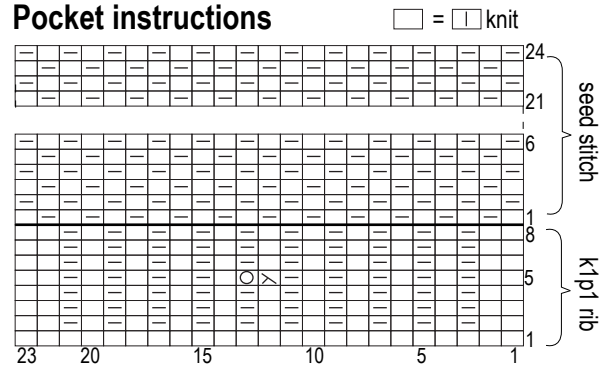
Collar, arm edging



Collar edging



Pocket instructions



Arm edging



Instructions for body

