

# 29-9 Ripple Vest



## Suggested yarn:

- Pierrot Yarns Café Chic [51% acrylic, 49% cotton; 104 yds/95m per 1.41 oz./40g skein];
  - color #8 smoke blue, 5 skeins [165g]
  - color #9 spicy gray, 3 skeins [115g]
  - color #13 grape, 2 skeins [45]

## Tools/Notions:

- 3.6mm (approx. US 4) straight and double-pointed knitting needles or size necessary to achieve gauge
- 3.5mm (US E) crochet hook or size necessary to achieve gauge

## Finished measurements:

- bust 93.5cm/36.81"
- cross back width 34cm/13.39"
- length 66.5cm/26.18"

## Gauge (10cm/4" square):

- pattern stitch A, B: 22 sts and 30 rows

*Gauge may vary according to individual knitting style. Change needle size if necessary to achieve gauge. Alternatively, rework pattern with your own gauge measurements.*

## Knitting Tips

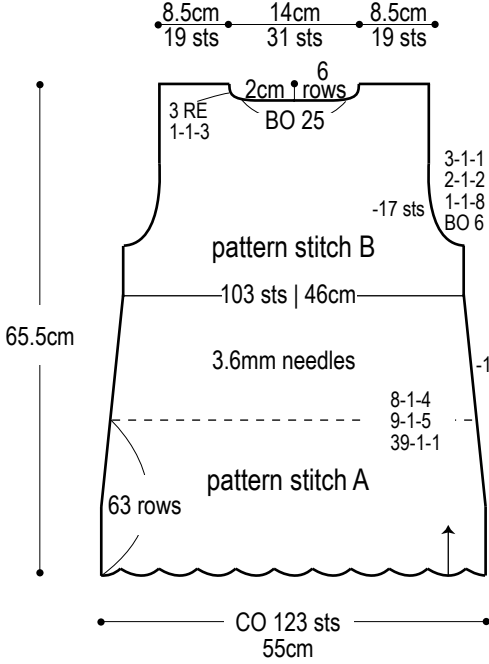
**Back and fronts:** Cast on with long-tail cast-on method and work in pattern stitch (stripes). Shape waist by decreasing at sides using fully fashioned decreases (one stitch in from the edge). Shape armscyes and neckline by binding off stitches as indicated and by working fully fashioned decreases (one stitch in from the edge).

**Finishing:** Seam shoulders with three-needle bind-off. Seam sides with mattress stitch. Work striped edging along front edges and neckline, being sure to work buttonholes in right front edging. Work striped edging in the round along armscye edges. Crochet a cord and thread through fabric where indicated. Attach tassels to ends of cord.

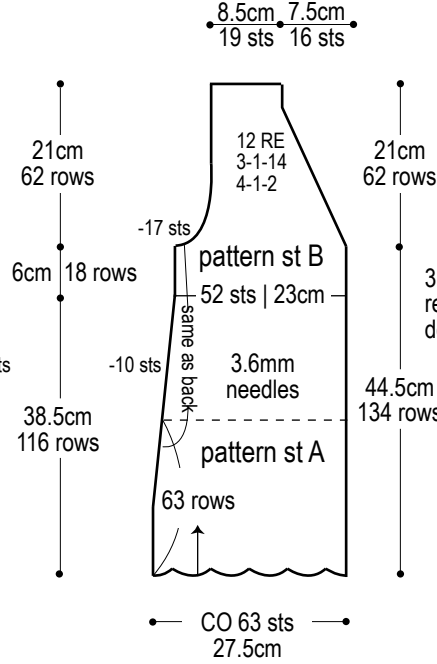
## Abbreviations:

BO = bind off  
ch = chain  
CO = cast on  
PU = pick up  
RE = row(s) even  
#-#-# = rows-stitches-times

### Back

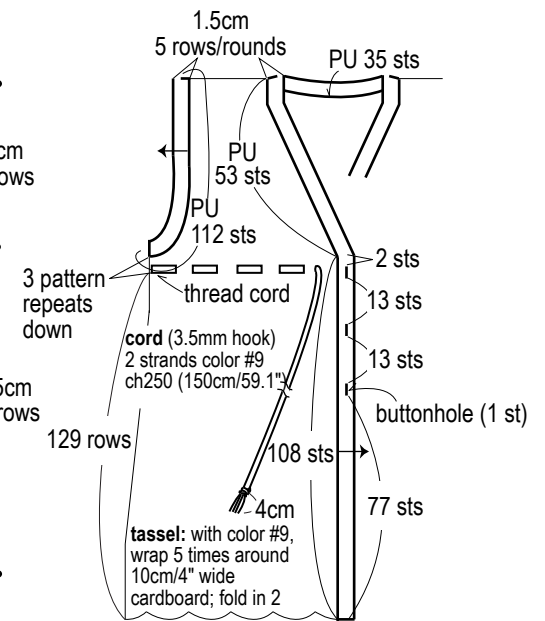


### Front



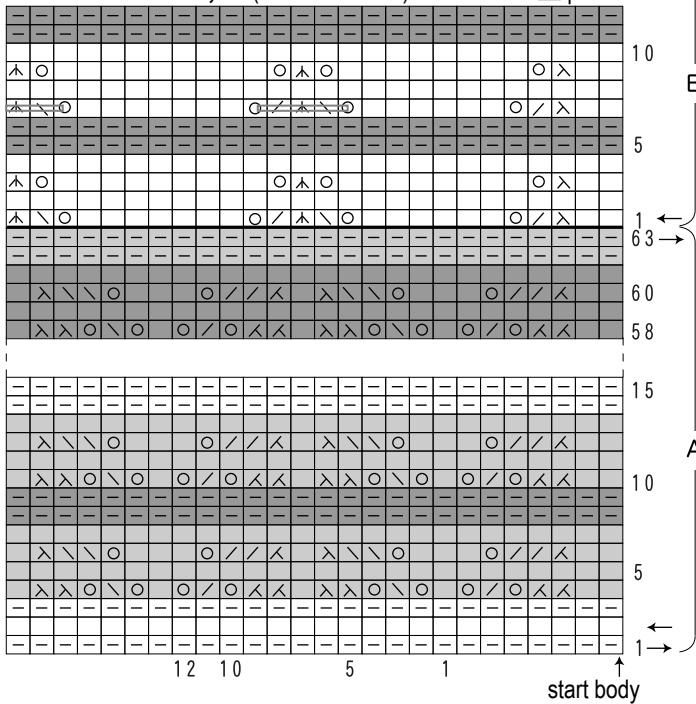
### Front band, collar, arm edging

3.6mm needles; striped edging

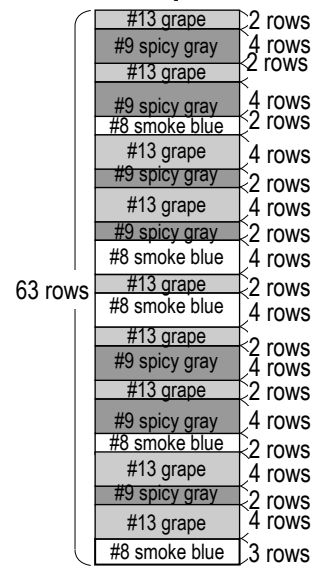


### Pattern stitch A, B (3.6mm needles)

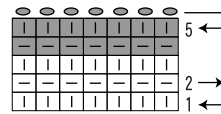
□ = purl



### Pattern stitch A color sequence



### Striped edging (3.6mm needles)



### Colors:

- = #9 spicy gray
- = #13 grape
- = #8 smoke blue

### Buttonholes (right front band)

