

210-211-46 Vest



Suggested yarn:

- Pierrot Yarns Fine Merino [100% extra fine merino; 103 yds/94m per 1.06 oz./30g skein];
 - color #205 deep navy, 7 skeins [200g]
 - color #201 off-white, 1 skein [12g]
 - color #221 black, 1 skein [10g]

Tools/Notions:

- 3.0mm (US 2½) and 3.6mm (approx. US 4) straight knitting needles or sizes necessary to achieve gauge
- 3.0mm (US 2½) double-pointed knitting needles or size necessary to achieve gauge

Finished measurements:

- chest 94cm/37.01"
- cross back width 40cm/15.75"
- length 62cm/24.41"

Gauge (10cm/4" square):

- stockinette stitch: 24 sts and 32 rows

Gauge may vary according to individual knitting style. Change needle size if necessary to achieve gauge. Alternatively, rework pattern with your own gauge measurements.

Knitting Tips

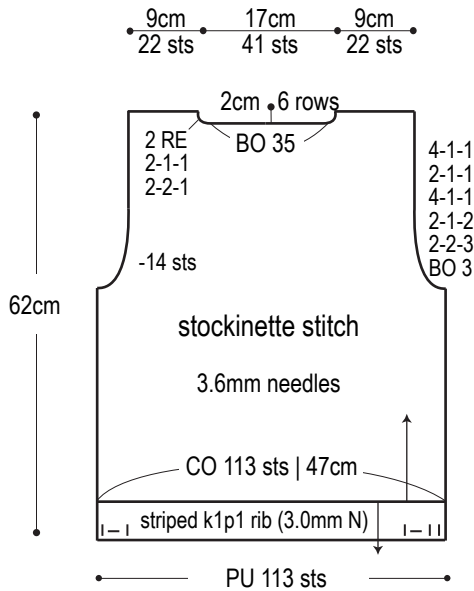
Body: Cast on with crochet provisional cast-on method and work in stockinette stitch. Pick up live stitches at hem and work striped k1p1 ribbing. Bind off with 1x1 tubular bind-off.

Finishing: Seam shoulders with three-needle bind-off. Seam sides with mattress stitch. Pick up stitches along neckline and work striped ribbing in the round. At point of V in the neckline, work center double decrease as indicated. Pick up stitches around armscyes and work k1p1 ribbing in the round. Bind off both collar and arm edging with 1x1 tubular bind-off.

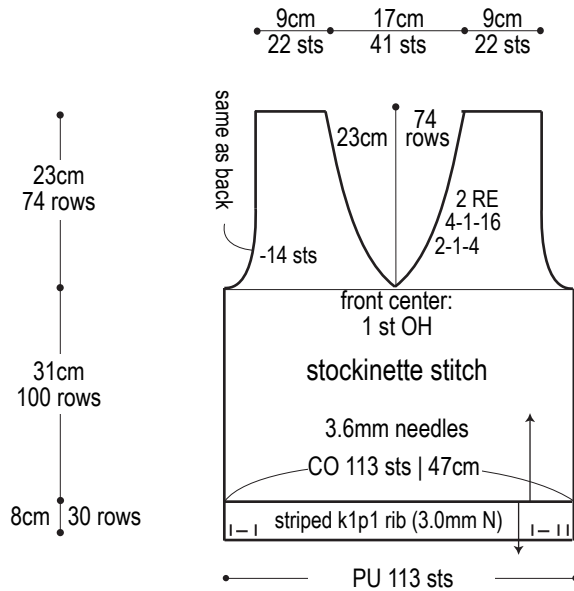
Abbreviations:

BO = bind off
CO = cast on
k = knit
N = needles
OH = on hold (place on stitch holder)
p = purl
PU = pick up
RE = row(s) even
sl = slip
p2sso = pass 2 slipped stitches over
#-#-# = rows-stitches-times

Back

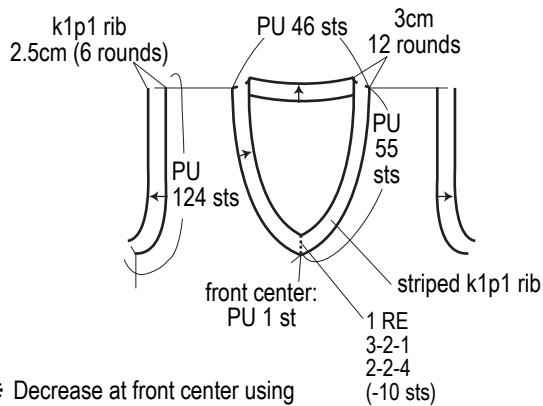


Front



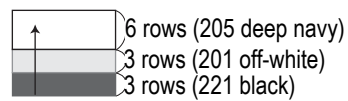
Collar; armscye edging

3.00mm double-pointed needles



※ Decrease at front center using center double decrease (sl 2, k1, p2ss). ↴

Striped k1p1 rib for collar



Striped k1p1 rib for hem

