

# 23-38 Men's Short-sleeve Sweater



## Suggested yarn:

• Pierrot Yarns My Cotton S [100% cotton; 166 yds/152m per 1.41oz./40g skein]; color #F18, 17 skeins [680g] - *discontinued; please choose appropriate substitute*

## Tools/Notions:

- 3.3mm (approx. US 3) and 3.9mm (approx. US 6) knitting needles or sizes necessary to achieve gauge
- 2 buttons (21mm/0.83")

## Finished measurements:

- bust 106cm/41.73"
- cross back width 47cm/18.50"
- length 64cm/25.20"
- sleeve length 23cm/9.06"

## Gauge (10cm/4" square):

- pattern stitch: 27 sts and 30 rows

*Gauge may vary according to individual knitting style. Change needle size if necessary to achieve gauge. Alternatively, rework pattern with your own gauge measurements.*

## Knitting Tips

**Body:** Cast on with crochet provisional cast-on method and knit in pattern stitch according to schematics. At front center of neckline, leave space for split collar.

**Sleeves:** Cast on as for body and knit in pattern stitch. When finished, leave all sleeve cap stitches live (for seaming later).

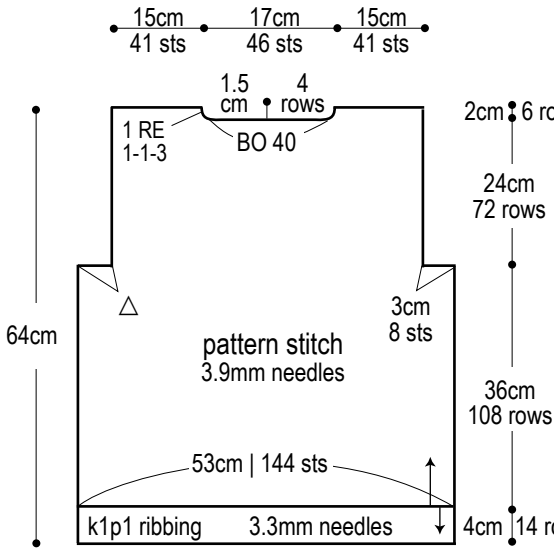
**Finishing:** Seam shoulders with three-needle bind-off. Seam sleeves to body with stitches-to-rows mattress stitch. Pick up stitches for collar and work in k1p1 ribbing. Bind off with 1x1 tubular bind-off. Pick up stitches for front placket according to schematics, working buttonholes in left front placket.

※Entire garment worked with yarn held doubled.

## Abbreviations:

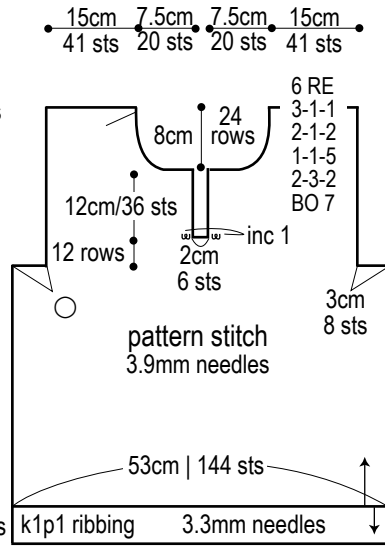
BO = bind off  
CO = cast on  
inc = increase  
PU = pick up  
RE = row(s) even  
#-#-# = rows-stitches-times

### Back



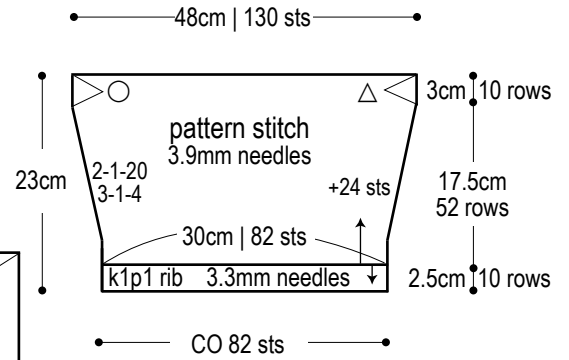
CO 144 sts

### Front



CO 144 sts

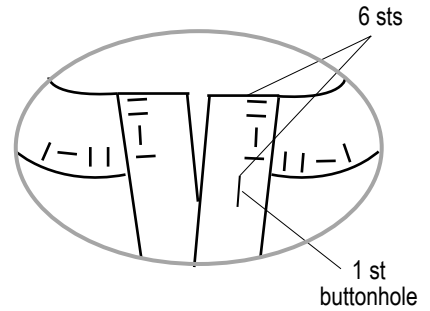
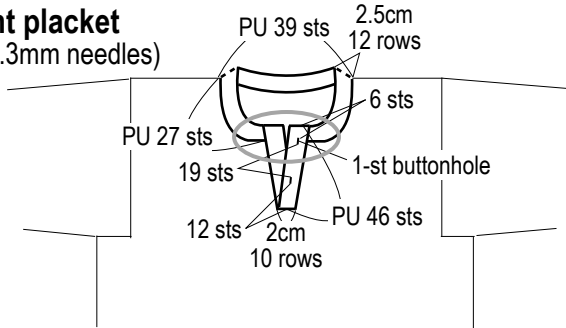
### Sleeve



CO 82 sts

### Collar & front placket

k1p1 ribbing (3.3mm needles)



### Pattern stitch

□ = □ purl stitch

