

210-211-36 Slub Vest



Suggested yarn:

- Pierrot Yarns Antique Slub [50% wool, 50% acrylic; 27 yds/25m per 1.41 oz./40g skein]; color #7 ivory/green/brown, 5 skeins [190g]

Tools/Notions:

- 8.0mm (US 11) knitting needles or size necessary to achieve gauge
- 8.0mm (US L) crochet hook or size necessary to achieve gauge
- 2 buttons (30mm/1.18" diameter)

Finished measurements:

- bust 91.5cm/36.02"
- cross back width 28cm/11.02"
- length 42.5cm/16.73"

Gauge (10cm/4" square):

- stockinette stitch: 9 sts and 11 rows

Gauge may vary according to individual knitting style. Change needle size if necessary to achieve gauge. Alternatively, rework pattern with your own gauge measurements.

Knitting Tips

Body: Cast on with long-tail cast-on method and work in stockinette stitch.

Finishing: Seam shoulders with three-needle bind-off. Seam sides with mattress stitch. Work 1 round of single crochet (US) around armholes. Work 1 round of single crochet (US) around neckline, front edges, and hem. Work buttonholes in right front placket, and fasten buttons to left front.

Abbreviations:

BO = bind off

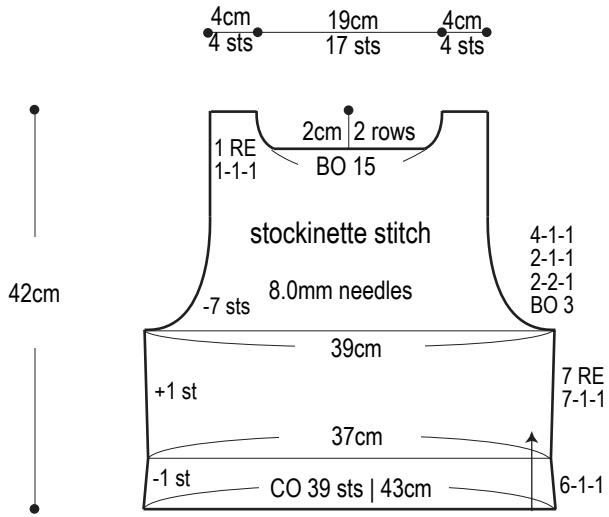
CO = cast on

RE = row(s) even

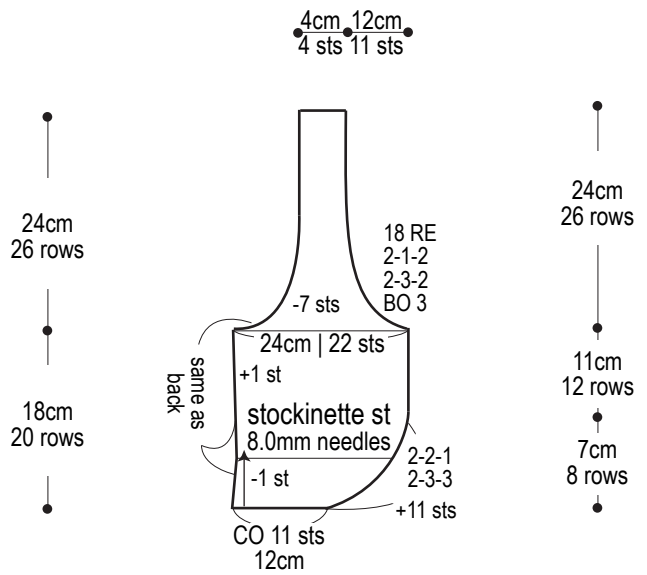
sc = single crochet (US)

#-#-# = rows-stitches-times

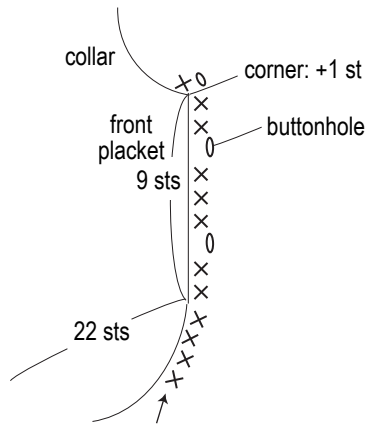
Back



Right front



Buttonholes (8.0mm hook)



Arm edging/Neckline, front placket, hem edging

