

28-29-302M Kid's Cape



Suggested yarn:

- Pierrot Yarns Poka Poka Hitsuji [100% superwash wool; 69 yds/63m per 1.23 oz./35g skein]; color #3 green, 5 skeins [170g]
- Pierrot Yarns Fine Merino [100% extra fine merino wool; 103 yds/94m per 1.06 oz./30g skein]; color #219 camel, 1 skein [20g]

Tools/Notions:

- 3.5mm (US E) crochet hook or size necessary to achieve gauge
- 2 buttons (15mm/0.59")

Finished measurements:

- To fit a child approximately 90cm/35.43" tall.
- length 30cm/11.81"

Gauge (10cm/4" square):

- pattern stitch: 22 sts and 17 rows

Gauge may vary according to individual crochet style. Change hook size if necessary to achieve gauge. Alternatively, rework pattern with your own gauge measurements.

Crochet Tips

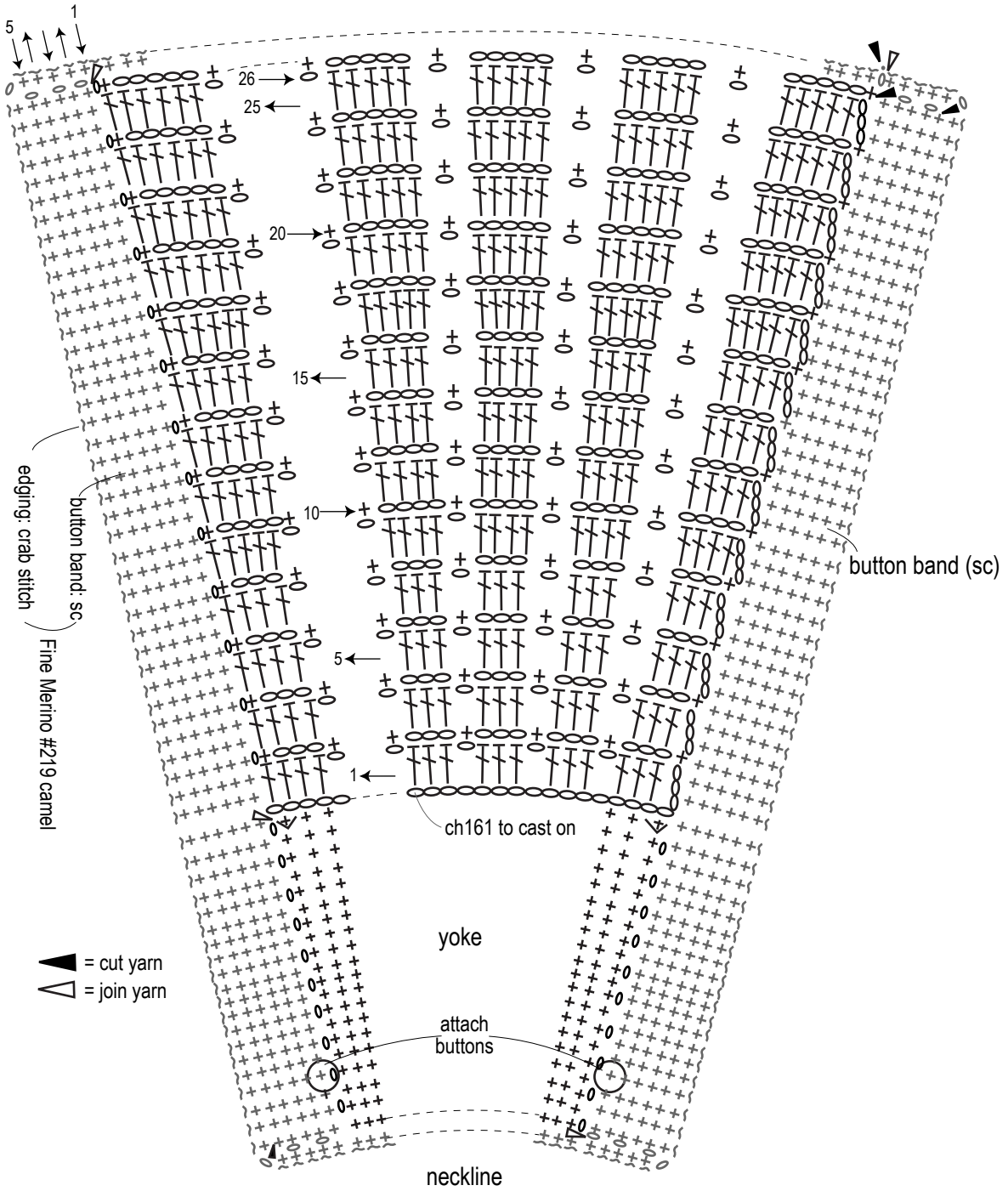
Body: ch161 (not counting chains needed for turning post); referring to schematics and increasing as indicated, work in pattern stitch. Crochet yoke by working single crochet (US) into bottom of foundation chain.

Finishing: Change to Fine Merino (color #219 camel) and work button band and edging in crab stitch. Crochet button tab and fasten buttons to button band.

Abbreviations:

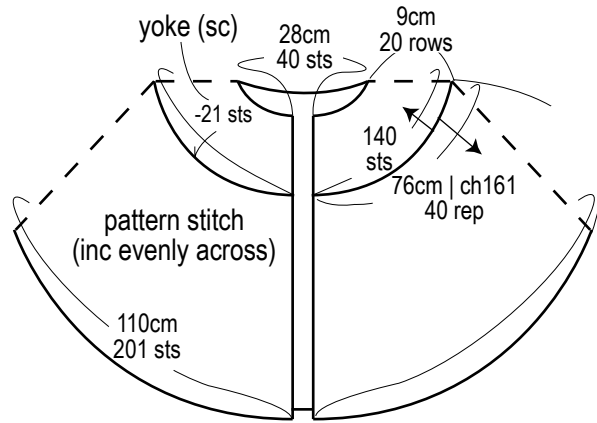
ch = chain
inc = increase
rep = repeat(s)
sc = single crochet (US)

Poncho



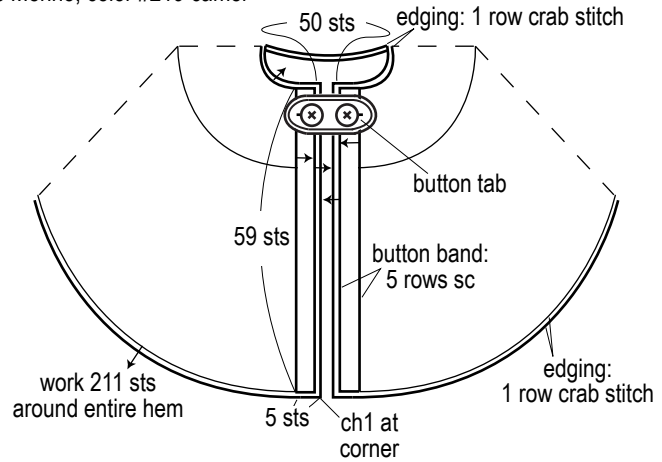
Poncho

Poka Poka Hitsuji, color #3 green



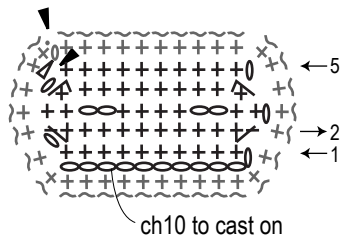
Button band & edging (3.5mm hook)

Fine Merino, color #219 camel



Button tab instructions (3.5mm hook)

rows 1-5: Poka Poka Hitsuji, color #3 green
edging: Fine Merino, color #219 camel



Yoke decreases (3.5mm hook)

