

# amicomo8-3 Chair Cover with Pocket



## Suggested yarn:

- Pierrot Yarns Cotton Neat [100% cotton; 58 yds/53m per 1.41 oz./40g skein];
  - color #612 orange, 6 skeins [235g]
  - color #614 cream beige, 6 skeins [210g]

## Tools/Notions:

- 4.0mm (US G) crochet hook or size necessary to achieve gauge
- 1 button (20mm/0.79")

## Finished measurements:

- width 36cm/14.17"
- length 104.5cm/41.14"

## Gauge:

- double crochet (US): 17 sts and 9 rows = 10cm/4" square
- each motif should measure 10cm/4" square

*Gauge may vary according to individual crochet style. Change hook size if necessary to achieve gauge. Alternatively, rework pattern with your own gauge measurements.*

## Crochet Tips

**Motifs:** Create magic ring and crochet 15 motifs according to chart.

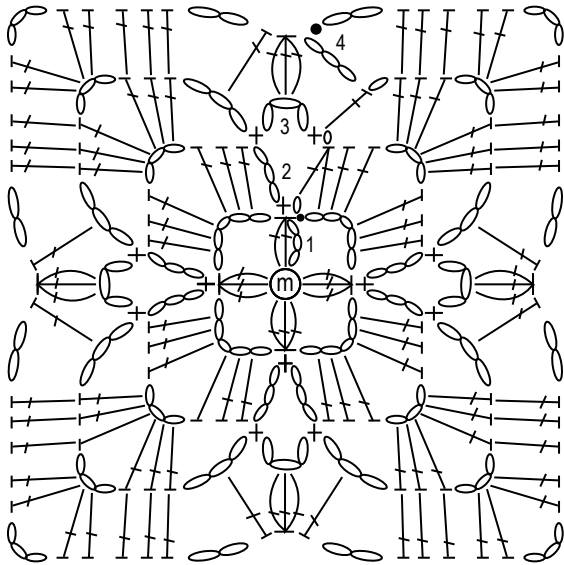
**Finishing:** Seam motifs with whipstitch, then work striped edging A along 3 sides. Work 1 row of 61 single crochet (US) stitches along the fourth side, then continue in double crochet (US) stripes. Fold back pocket section and work edging along entire perimeter. Attach cords and button.

## Abbreviations:

ch = chain  
dc = double crochet  
m = magic ring  
sc = single crochet

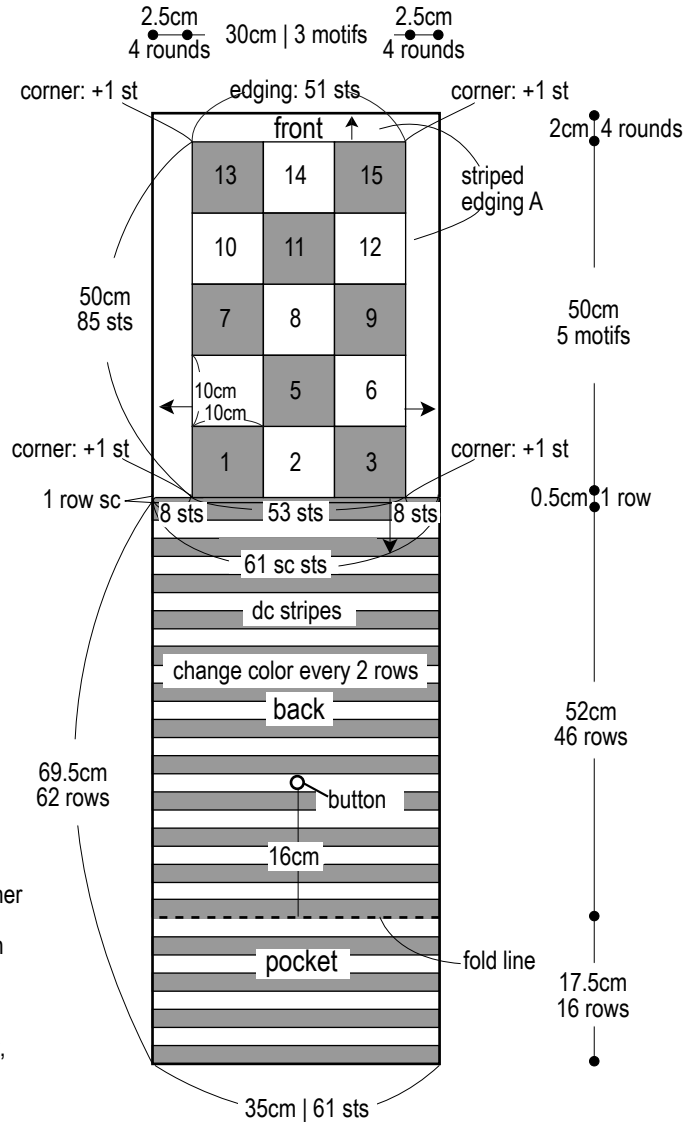
### Motif instructions (4.0mm hook)

- motif A** = color #612 orange - make 8
- motif B** = color #614 cream beige - make 7

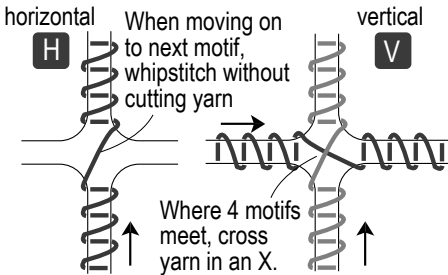


10cm

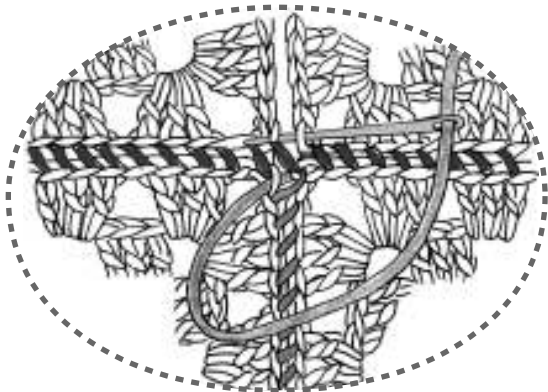
### Chair cover (4.0mm hook)



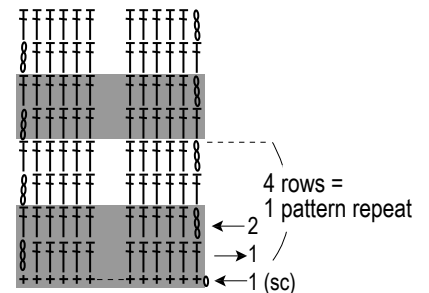
### Seaming motifs (4.0mm hook)



1. Place motifs alongside one another and whipstitch together, inserting needle (threaded with yarn) through front loop only.
2. Whipstitch vertical seams in the same way, but where 4 motifs meet, form an X.

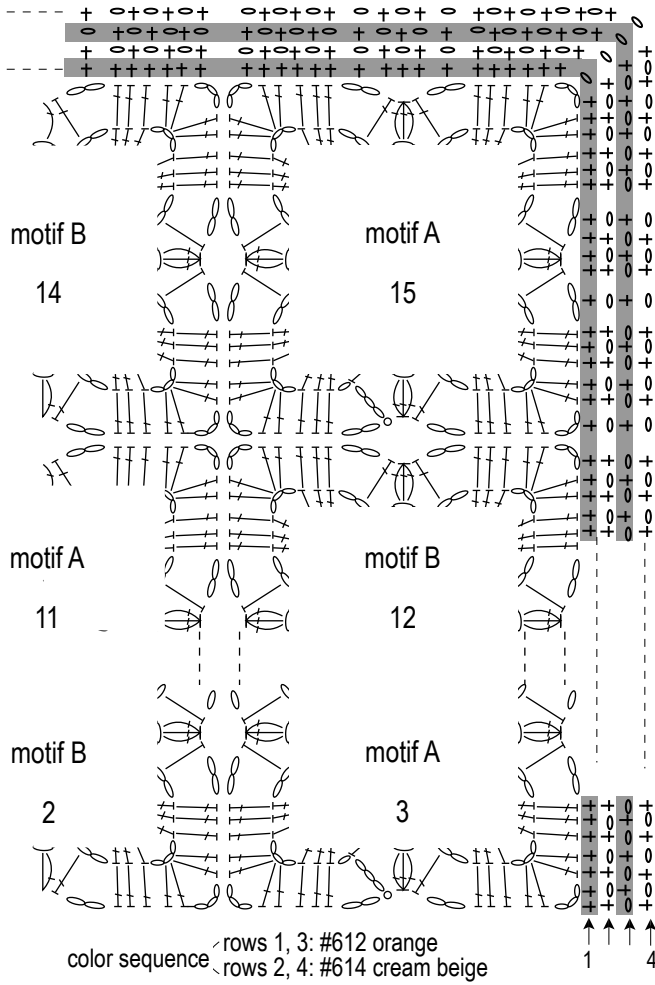


### Double crochet stripes (4.0mm hook)

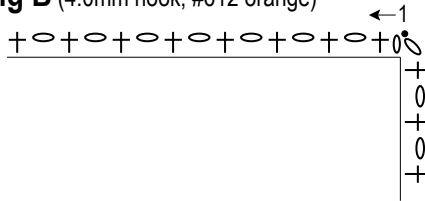


- = color #612 orange
- = color #614 cream beige

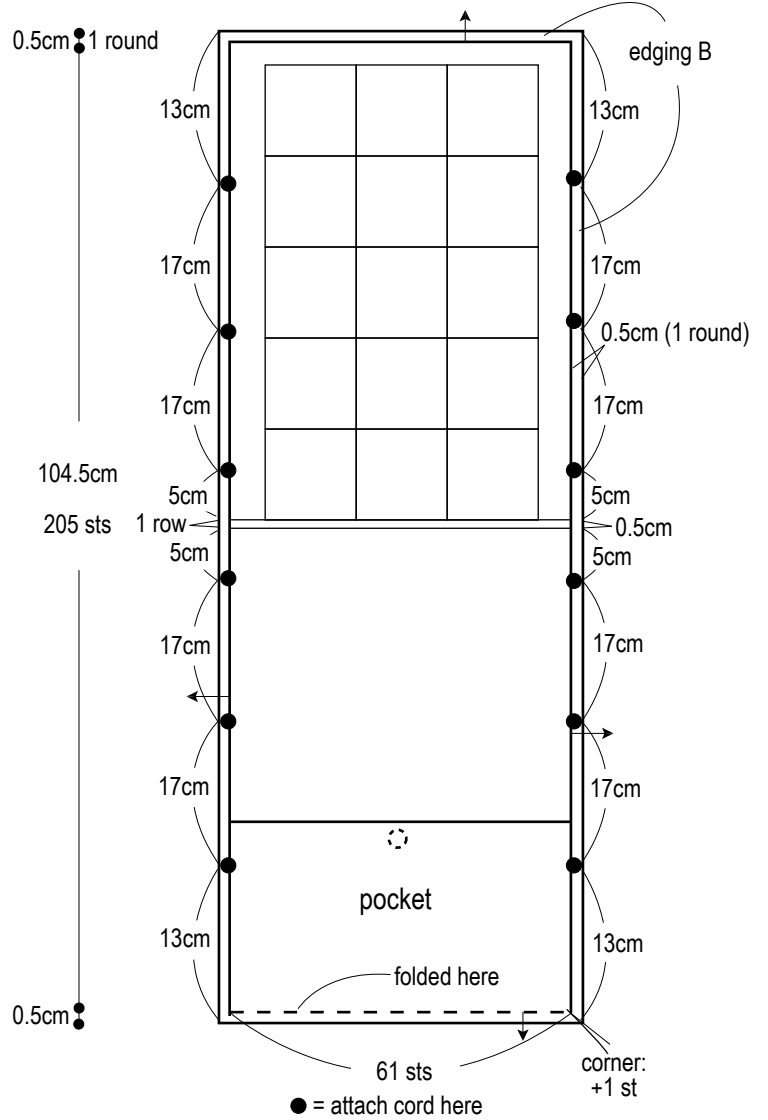
### Striped edging A (4.0mm hook)



### Edging B (4.0mm hook, #612 orange)



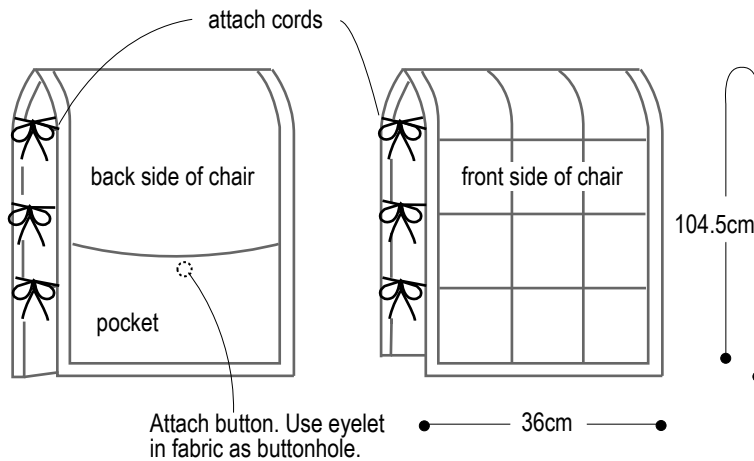
### Finishing (4.0mm hook)



※ Fold back piece where indicated to form a pocket.

※ Seam pocket sides by working edging B.

### Finished item



### Cord (make 12)

#612 orange

