

211s-37 Ami Cotton Striped Rug



Suggested yarn:

- Pierrot Yarns Ami Cotton Super Bulky [100% cotton; 55 yds/50m per 3.42-3.53 oz./ 97-100g hank];
 - color #53 vanilla, 10 hanks [950g]
 - color #57 raspberry, 10 hanks [960g]
 - color #58 deep pink, 10 hanks [950g]
 - color #59 purple, 9 hanks [850g]
 - color #60 turquoise, 8 hanks [750g]

Tools/Notions:

- 10.0mm (US N/P) crochet hook or size necessary to achieve gauge

Finished measurements:

- height 105cm/41.34"
- width 160cm/62.99"

Gauge (10cm/4" square):

- pattern stitch: 7 stitches and 4 rows

Gauge may vary according to individual crochet style. Change hook size if necessary to achieve gauge. Alternatively, rework pattern with your own gauge measurements.

Crochet Tips

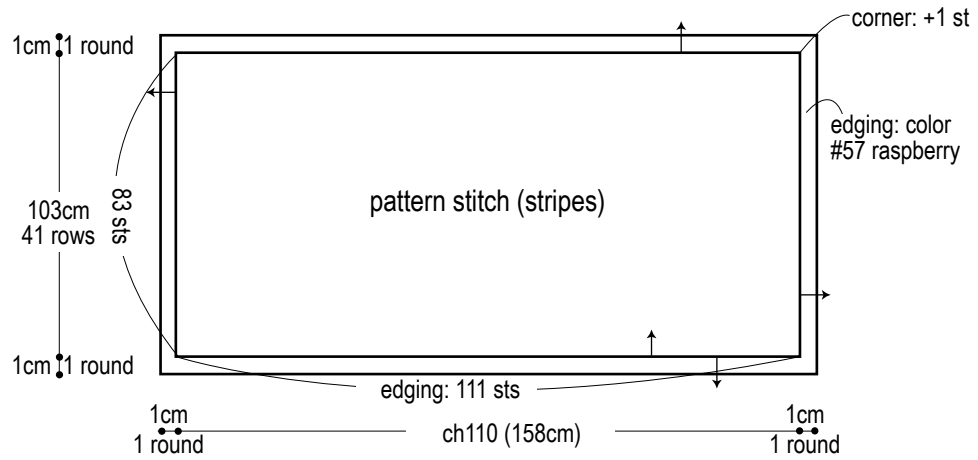
Chain to create foundation row, and working in bottom loops of chain, work in pattern stitch (stripes) while changing colors according to schematic. Without cutting yarn, continue to 1 round of edging.

※ Entire rug worked with 2 strands of yarn held together.

Abbreviations:

ch = chain

Rug (10.0mm hook)



Color sequence

#57 raspberry	2 rows
#53 vanilla	3 rows
#60 turquoise	1 row
#59 purple	2 rows
#58 deep pink	3 rows
#57 raspberry	1 row
#53 vanilla	2 rows
#60 turquoise	3 rows
#59 purple	1 row
#58 deep pink	2 rows
#57 raspberry	3 rows
#53 vanilla	1 row
#60 turquoise	2 rows
#59 purple	3 rows
#58 deep pink	1 row
#57 raspberry	2 rows
#53 vanilla	3 rows
#60 turquoise	1 row
#59 purple	2 rows
#58 deep pink	3 rows

Pattern stitch, edging instructions (10.0mm hook)

