

# 211-8h Patterned Gilet



## Suggested yarn:

Pierrot Yarns Tsubaki Cotton [100% cotton treated with tsubaki oil (camellia); 90yds/82m per 1.41oz./40g skein]; color #08 dark brown, 7 skeins [260g]

## Tools/Notions:

4.0mm crochet hook  
1 button (30mm/1.18" diameter)

## Finished measurements:

back width 39cm/15.35"  
length 45cm/17.72"

## Gauge (10cm/4" square):

pattern stitch: 17 sts and 10 rows

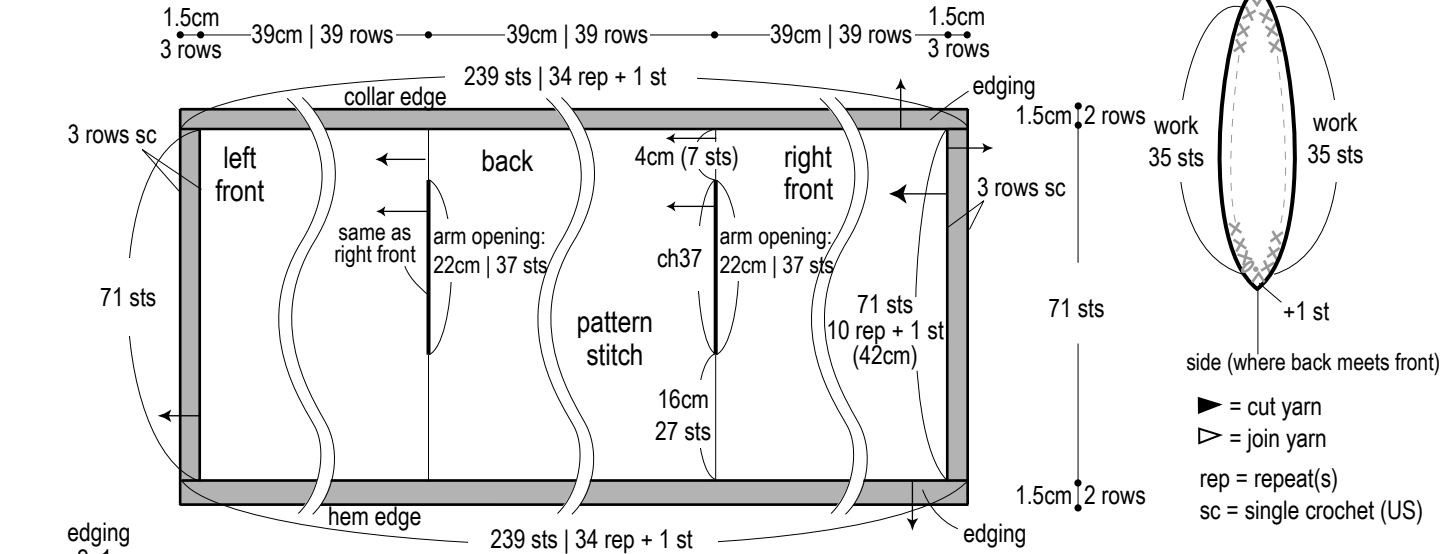
Gauge may vary according to individual crochet style. Change hook size if necessary to achieve gauge. Alternatively, rework pattern with your own gauge measurements.

## Crochet Tips

**Body:** Working in bottom loops of foundation, crochet in pattern stitch starting from right front. Chain 37 for armscyes; work new stitches into chain per schematic.

**Finishing:** Work 1 round of sc around armscyes and 2 rows of sc along first and last rows. Work 2 rows of edging at collar and hem.

**Vest (4.0mm hook)**



**Armscye edging**

